

# CMR-XT Series Low Torque Rotary Union

1

The CMR-XT series rotary union is structured for the equipment such as air, inert gas and so on, which are used in automation and robot equipment and need low torque.



## Features:

- Continuous 360° rotation
- Available 2,4,6,8,12,16, 24 channel
- Allowable rpm: ≤400, high speed can be custom
- Operating pressure: -100 kPa to 1 MPa

## CMR SERIES MODEL#

Model#	Pneumatic Channel	Pressure	Connection Size	Speed
CMR2-XT	2	-100 kPa ~ 1 MPa	M5, 1/8", 1/4", 3/8"	Max. 400 RPM
CMR4-XT	4	-100 kPa ~ 1MPa	M5, 1/8", 1/4", 3/8"	Max. 400 RPM
CMR6-XT	6	-100 kPa ~ 1MPa	M5, 1/8", 1/4", 3/8"	Max. 300 RPM
CMR8-XT	8	-100kPa ~ 1MPa	M5, 1/8", 1/4", 3/8"	Max. 300 RPM

## CMR2-XT Series Overview

### Description

Cosmau CMR2-XT series multiple passage rotary unions with 2 channel for media transfer, design for compressed air, gas in rotating system.

- Transmit compressed air, gas when 360° unrestricted rotation
- Combined with electrical slip ring, transfer power, control signal, data
- Through hole or flange structure optional
- Low torque



### Specifications

Item	
Pneumatic Channel	2
Pressure	-100kPa ~ 10bar
Connection Size	M5, 1/8" 1/4", 3/8"
Connection Type	BSP
Operating Temperature	-18° C to 120° C
Suitable Media	Air / Gas / Vacuum
Speed	200 RPM (reference value)
Material	AL alloy housing, Carbon Steel Shaft
Service life	80 million rotations

**Note:** All values listed under Technical Specifications are dependent on a combination of all application parameters. Please note service life is dependent upon both rotational speed and duty cycle.

### Options

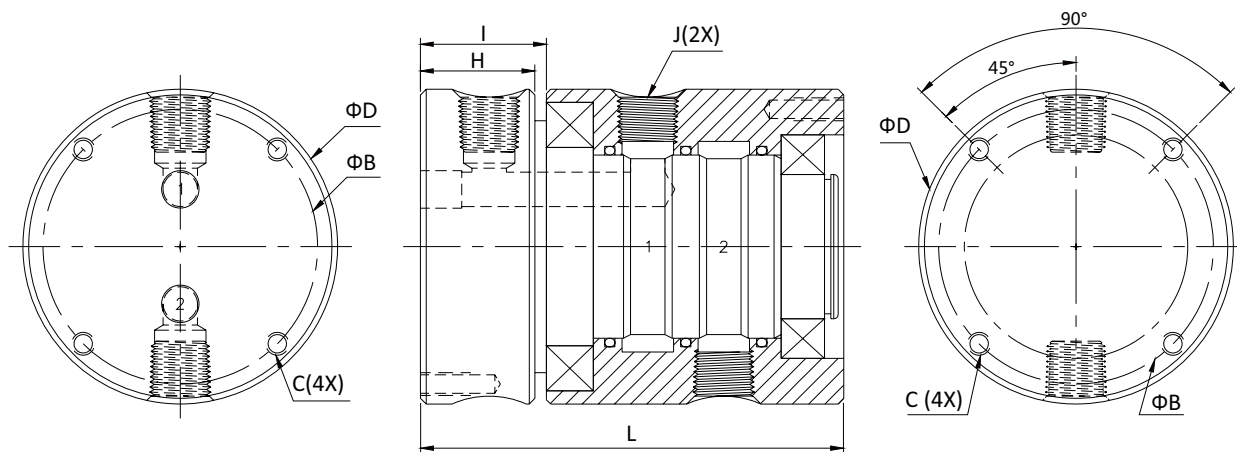
- Mounting Flange
- Connection Size
- Connection Type
- Material
- Pressure
- Media
- Optional Speed
- Combine with electrical slip ring

## INTRODUCE

## CMR2-XT

3

## CMR2-XT Series Dimensions



Part#	J(BSPP/NPT)	ΦB	C	ΦD	H	I	L
CMR-200-XT	M5	36	M4	44	14.5	15	63.6
CMR-201-XT	1/8"	45	M5	54	18.5	19.5	73.5
CMR-202-XT	1/4"	45	M5	54	21.5	22.5	78.9
CMR-203-XT	3/8"	59	M6	69	27.5	28.5	91.9

## CMR4-XT Series Overview

### Description

Cosmau CMR4-XT series multiple passage rotary unions with 4 channel for media transfer, design for compressed air, gas in rotating system.

- Transmit compressed air, gas when 360° unrestricted rotation
- Combined with electrical slip ring, transfer power, control signal, data
- Through hole or flange structure optional
- Low torque



### Specifications

Item	
Pneumatic Channel	4
Pressure	-100kPa ~ 10bar
Connection Size	M5, 1/8" 1/4", 3/8"
Connection Type	BSP
Operating Temperature	-18° C to 120° C
Suitable Media	Air / Gas / Vacuum
Speed	200 RPM (reference value)
Material	AL alloy housing, Carbon Steel Shaft
Service life	80 million rotations

**Note:** All values listed under Technical Specifications are dependent on a combination of all application parameters. Please note service life is dependent upon both rotational speed and duty cycle.

### Options

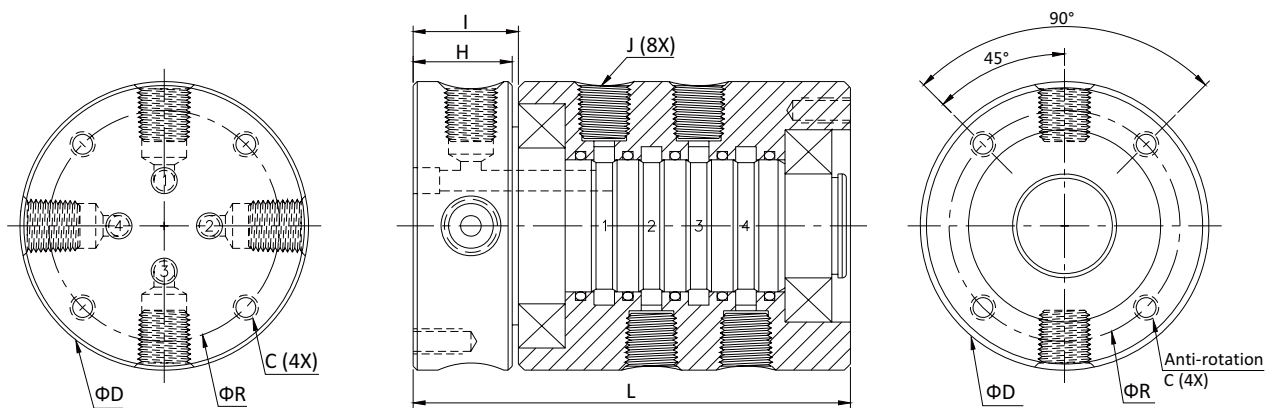
- Mounting Flange
- Connection Size
- Connection Type
- Material
- Pressure
- Media
- Optional Speed
- Combine with electrical slip ring

## INTRODUCE

## CMR4-XT

5

## CMR4-XT Series Dimensions



Part#	J(BSPP/NPT)	$\Phi R$	C	$\Phi D$	H	I	L
CMR-400-XT	M5	36	M4	44	14.5	15	82
CMR-401-XT	1/8"	45	M5	54	18.5	19.5	95.9
CMR-402-XT	1/4"	50	M5	59	21.5	22.5	102.9
CMR-403-XT	3/8"	59	M6	69	27.5	28.5	119.9

## CMR6-XT Series Overview

### Description

Cosmau CMR6 series multiple passage rotary unions with 6 channel for media transfer, design for compressed air, gas in rotating system.

- Transmit compressed air, gas when 360°unrestricted rotation
- Combined with electrical slip ring,transfer power,control signal, data
- Through hole or flange structure optional
- Low torque



### Specifications

Item	
Pneumatic Channel	6
Pressure	-100kPa ~ 10bar
Connection Szie	M5, 1/8" 1/4", 3/8"
Connection Type	BSPB
Operating Temperature	-18° C to 120° C
Suitable Media	Air / Gas / Vacuum
Speed	200 RPM (reference value)
Material	AL alloy housing, Carbon Steel Shaft
Service life	80 million rotations

**Note:** All values listed under Technical Specifications are dependent on a combination of all application parameters. Please note service life is dependent upon both rotational speed and duty cycle.

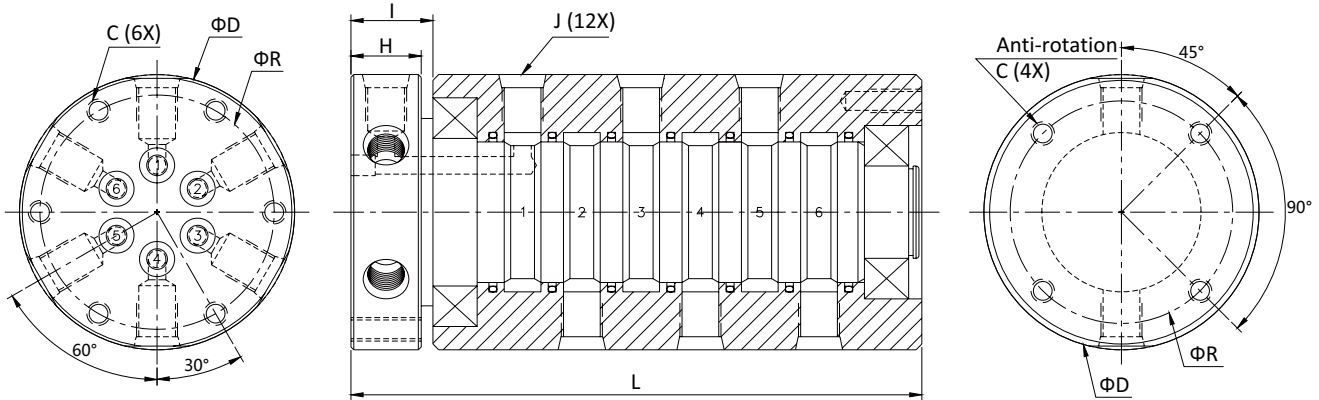
### Options

- Mounting Flange
- Connection Size
- Connection Type
- Material
- Pressure
- Media
- Optional Speed
- Combine with electrical slip ring

# INTRODUCE

## CMR6-XT

### CMR6-XT Series Dimensions



Part#	J(BSPP/NPT)	ΦR	C	ΦD	H	I	L
CMR-600-XT	M5	40	M5	49	14.5	15	101
CMR-601-XT	1/8"	50	M5	59	18.5	19.5	120.9
CMR-602-XT	1/4"	50	M5	59	21.5	22.5	130.9
CMR-603-XT	3/8"	64	M6	74	27.5	28.5	147.9

## CMR8-XT Series Overview

### Description

Cosmau cmr8-xt series multiple passage rotary unions with 8 channel for media transfer, design for compressed air, gas in rotating system.

- Transmit compressed air, gas when 360°unrestricted rotation
- Combined with electrical slip ring,transfer power,control signal, data
- Through hole or flange structure optional
- Low torque



### Specifications

Item	
Pneumatic Channel	8
Pressure	-100kPa ~ 10bar
Connection Szie	M5, 1/8" 1/4", 3/8"
Connection Type	BSPB
Operating Temperature	-18° C to 120° C
Suitable Media	Air / Gas / Vacuum
Speed	200 RPM (reference value)
Material	AL alloy housing, Carbon Steel Shaft
Service life	80 million rotations

**Note:** All values listed under Technical Specifications are dependent on a combination of all application parameters. Please note service life is dependent upon both rotational speed and duty cycle.

### Options

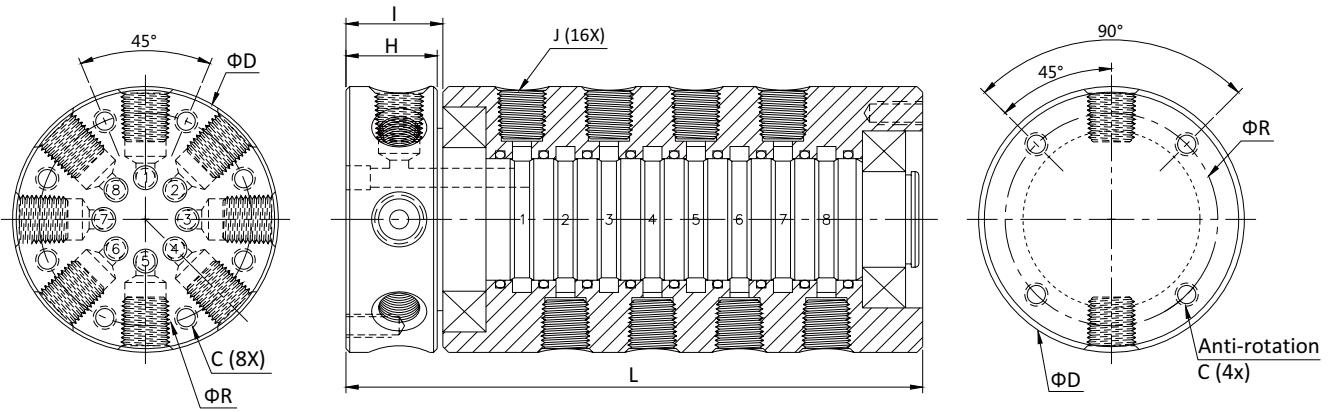
- Mounting Flange
- Connection Size
- Connection Type
- Material
- Pressure
- Media
- Optional Speed
- Combine with electrical slip ring



# INTRODUCE

## CMR8-XT

### CMR8-XT Series Dimensions



Part#	J(BSPP/NPT)	$\Phi R$	C	$\Phi D$	H	I	L
CMR-800-XT	M5	44	M5	54	14.5	15	120.9
CMR-801-XT	1/8"	50	M5	59	19.5	20.5	146.7
CMR-802-XT	1/4"	60	M5	69	21.5	22.5	154.9