

MOS Series Capsule Slip Ring

1

The capsule slip rings are the ideal solution for signal and data transmission under even the most demanding conditions. Wherever space and or weight are restricted, these products can push the limits of physical possibility thanks to special manufacturing processes.

Typical application include CCTV security camera, point of purchase display, Medical equipment, automation flow line etc.



Features:

- Continuous 360° rotation of signal or data
- Transmission of power, signals, video signals etc
- Gold-on-gold contact
- No require lubrication
- High speed, cameras/security industry used, also widely used revolving stage of lights
- Circuits combination is available (video, control , sensor, power, Ethernet and so on)

MOS SERIES MODEL#

Model#	ID(mm)	OD(mm)	Current(A)	Voltage(V AC/DC)	Number Of Circuits
MOS05	-	5	1	220	4~12
MOS06	-	6	1	220	4~12
MOS08	-	8.5	1	220	4~12
MOS12	-	12.5	1.5	240	4~18
MOS15	-	15.5	2	240	24
MOS22	-	22	2	240	6~36
MOS25	-	25.4	2	240	56
MOS30	-	30	2	240	54

MOS05 Series Overview

Description

MOS05 was a standard miniature slip ring, diameter 6mm, length can be 11.4mm, compact design with gold contact, can top to 8 circuits, high performance color lead wire. Perfect for transfer precision signal, low current. Small torque, low noise and loss, non-maintenance.



Features

- 4, 6, 8 circuit models
- Gold-on-gold contacts
- Flexible, color-coded, silver-plated, Teflon® insulated lead wires
- Transfers analog and digital signals

Typical Applications

- CCTV pan / tilt camera mounts
- Electrical test equipment
- Manufacturing and process control equipment
- Exhibit / display equipment
- UAV

Specifications

Item	
Operating Speed	Max. 150 RPM*
Number of Circuits	4~8 wires
Lead Wire	AWG30# Teflon, 300mm
Voltage	240V AC/DC
Operating Temperature	-20 ℃ to 60 ℃
Current Rating	Signal / 1A circuits
Noise	<0.01Ω
Torque	0.02N.m
Housing Material	Plastic
Protection Grade	IP51

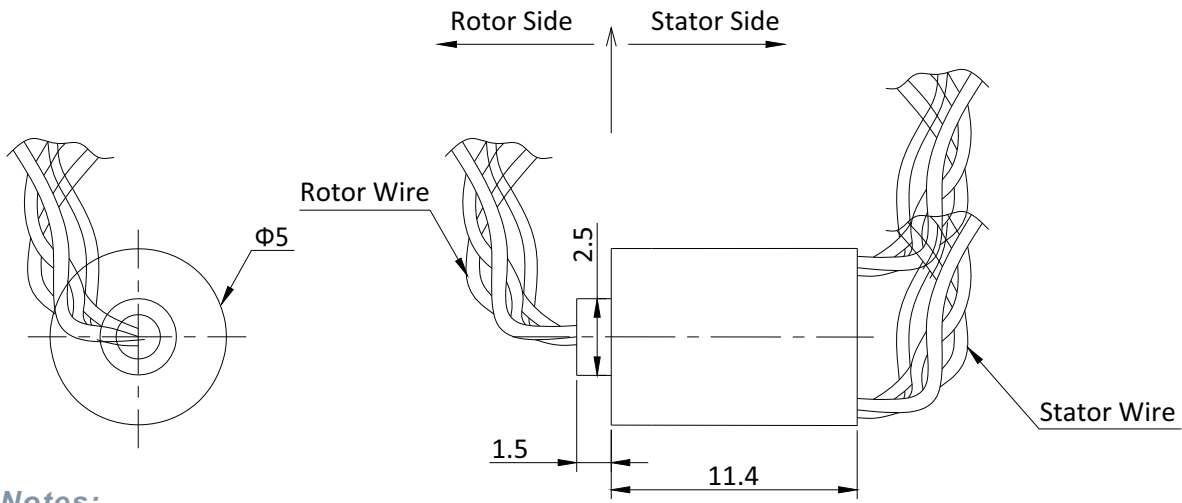
* Please note that the operational life of the unit is dependent upon rotational speed, environment and temperature

INTRODUCE

MOS05

3

MOS05 Series Dimensions



Notes:

1. Drawings not actual size, dimensions are in millimeters

Part# List

Model#	Power Circuits(5A/10A)	Signal (1A)	Voltage(V)	OD(mm)	Length(mm)
MOS05-S04	-	4	240	5	11.4
MOS05-S06	-	6	240	5	11.4
MOS05-S08	-	8	240	5	11.4

Lead wire color code(From the rotor)

Ring#	Color	Description/AWG	Ring#	Color	Description/AWG
1	BLK	Signal / 1A, AWG30#	7	BLU	Signal / 1A, AWG30#
2	BRN		8	VIO	
3	RED		9	GRY	
4	ORN		10	WHT	
5	YEL		11	PINK	
6	GRN		12	SOFT-BLU	

MOS06 Series Overview

Description

MOS06 was a standard miniature slip ring, diameter 6mm, length can be 11.4mm, compact design with gold contact, can top to 8 circuits, high performance color lead wire. Perfect for transfer precision signal, low current. Small torque, low noise and loss, non-maintenance.



Features

- 4, 6, 8 circuit models
- Gold-on-gold contacts
- Flexible, color-coded, silver-plated, Teflon® insulated lead wires
- Transfers analog and digital signals

Typical Applications

- CCTV pan / tilt camera mounts
- Electrical test equipment
- Manufacturing and process control equipment
- Exhibit / display equipment
- UAV

Specifications

Item	
Operating Speed	Max. 150 RPM*
Number of Circuits	4~8 wires
Lead Wire	AWG30# Teflon, 300mm
Voltage	240V AC/DC
Operating Temperature	-20 ℃ to 60 ℃
Current Rating	Signal / 1A circuits
Noise	<0.01Ω
Torque	0.02N.m
Housing Material	Plastic
Protection Grade	IP51

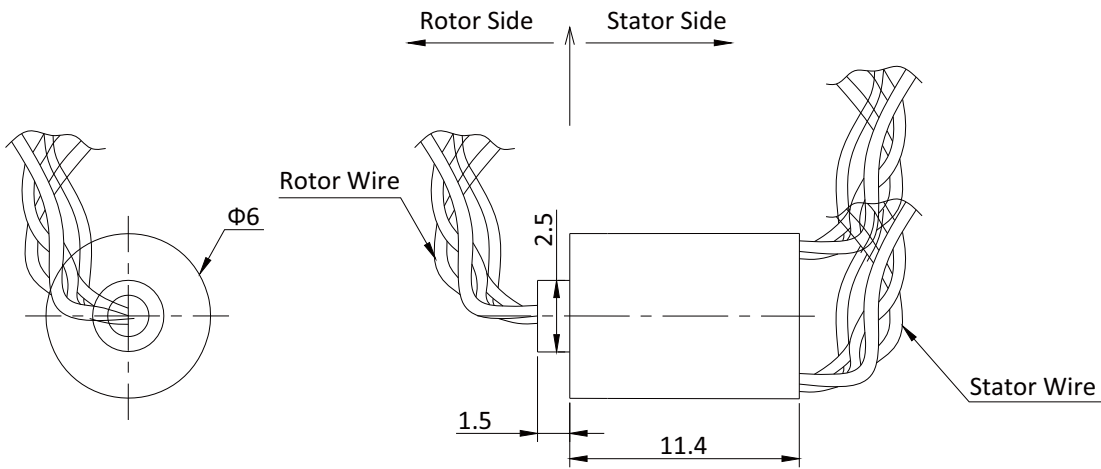
* Please note that the operational life of the unit is dependent upon rotational speed, environment and temperature

INTRODUCE

MOS06

2

MOS06 Series Dimensions



Notes:

1. Drawings not actual size, dimensions are in millimeters

Part# List

Model#	Power Circuits(5A/10A)	Signal (1A)	Voltage(V)	OD(mm)	Length(mm)
MOS06-S04	-	4	240	6	11.4
MOS06-S06	-	6	240	6	11.4
MOS06-S08	-	8	240	6	11.4

Lead wire color code(From the rotor)

Ring#	Color	Description/AWG	Ring#	Color	Description/AWG
1	BLK	Signal / 1A, AWG30#	7	BLU	Signal / 1A, AWG30#
2	BRN		8	VIO	
3	RED		9	GRY	
4	ORN		10	WHT	
5	YEL		11	PINK	
6	GRN		12	SOFT-BLU	

MOS08 Series Overview

Description

MOS08 was a standard miniature slip ring, diameter 8.5mm, length can be from 8.9mm to 14.5mm, compact design with gold contact, can top to 12 circuits, high performance color lead wire. Perfect for transfer precision signal, low current. Small torque, low noise and loss, non-maintenance.



Features

- 4, 6, 8, 12 circuit models
- Gold-on-gold contacts
- Flexible, color-coded, silver-plated, Teflon® insulated lead wires
- Transfers analog and digital signals

Typical Applications

- CCTV pan / tilt camera mounts
- Electrical test equipment
- Manufacturing and process control equipment
- Exhibit / display equipment
- Medical equipment

Specifications

Item	
Operating Speed	Max. 150 RPM*
Number of Circuits	4~12 wires
Lead Wire	AWG30# Teflon, 300mm
Voltage	240V AC/DC
Operating Temperature	-20 ℃ to 60 ℃
Current Rating	Signal / 1A circuits
Noise	<0.01Ω
Torque	0.02N.m
Housing Material	Plastic
Protection Grade	IP51

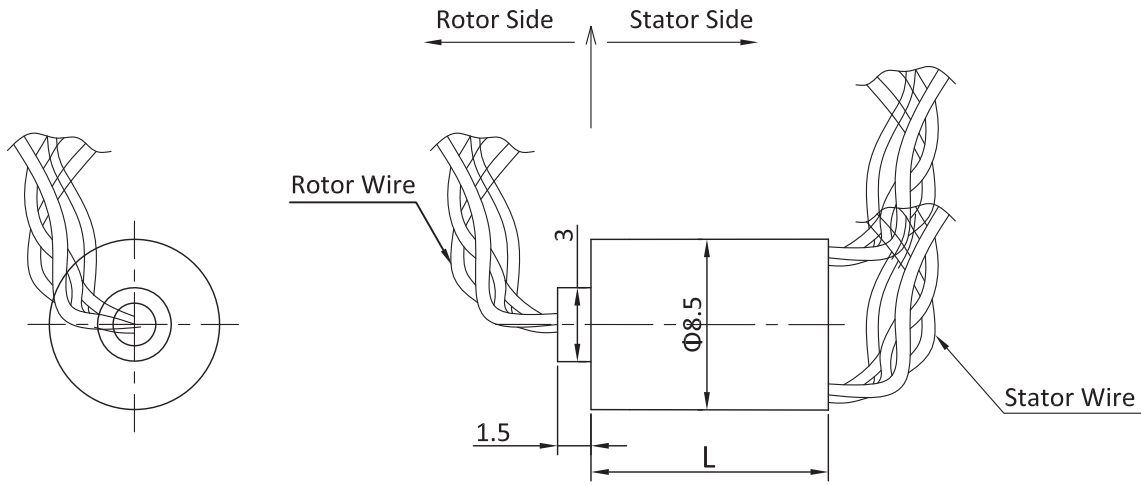
* Please note that the operational life of the unit is dependent upon rotational speed, environment and temperature

INTRODUCE

MOS08

7

MOS08 Series Dimensions



Notes:

- 1. Drawings not actual size, dimensions are in millimeters

Part# List

Model#	Power Circuits(5A/10A)	Signal (1A)	Voltage(V)	OD(mm)	Length(mm)
MOS08-04	-	4	240	8.5	8.9
MOS08-06	-	6	240	8.5	11.4
MOS08-08	-	8	240	8.5	11.4
MOS08-12	-	12	240	8.5	19.1

Lead wire color code(From the rotor)

Ring#	Color	Description/AWG	Ring#	Color	Description/AWG
1	BLK	Signal / 1A, AWG30#	7	BLU	Signal / 1A, AWG30#
2	BRN		8	VIO	
3	RED		9	GRY	
4	ORN		10	WHT	
5	YEL		11	PINK	
6	GRN		12	SOFT-BLU	

MOS12 Series Overview

Description

MOS12 was a standard capsule slip ring, diameter 12.5mm, length can be from 15mm to 24mm, compact design with gold contact, can top to 18 circuits, high performance color lead wire. Perfect for transfer precision signal, low current. Small torque, low noise and loss, non-maintenance.



Features

- 6, 12, 18 circuit models
- Gold-on-gold contacts
- Flexible, color-coded, silver-plated Teflon® insulated lead wires
- Transfers analog and digital signals

Typical Applications

- CCTV pan / tilt camera mounts
- Electrical test equipment
- Manufacturing and process control equipment
- Exhibit / display equipment
- Medical equipment

Specifications

Item	
Operating Speed	Max.250 RPM*
Number of Circuits	6, 12, 18 wires
Lead Wire	AWG30# Teflon, 300mm
Voltage	240V AC/DC
Operating Temperature	-20℃ to 60℃
Current Rating	Signal / 1.5A circuits
Noise	<0.01Ω
Torque	0.02N.m
Housing Material	Plastic
Protection Grade	IP51

* Please note that the operational life of the unit is dependent upon rotational speed, environment and temperature

Options

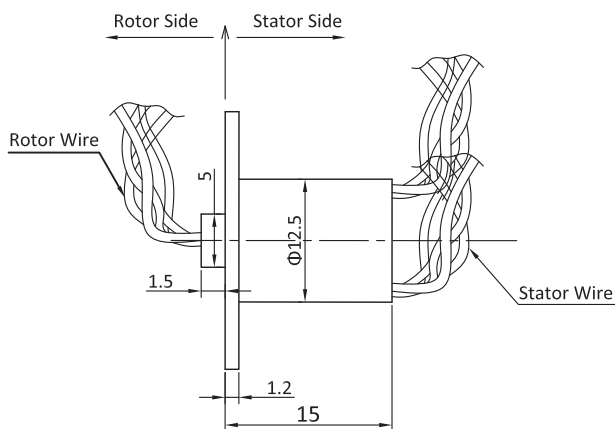
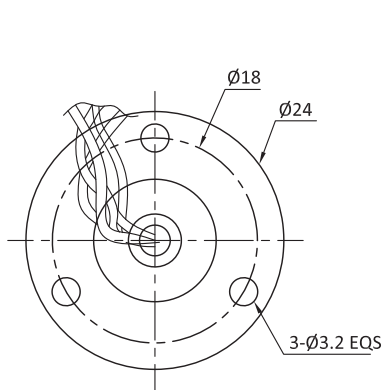
- Flange or non-flange.
- Specified connectors and Heat-shrink tube.
- Longer lead lengths available.
- Hybrid Pneumatic/hydraulic and electric slip ring can be mixed.

INTRODUCE

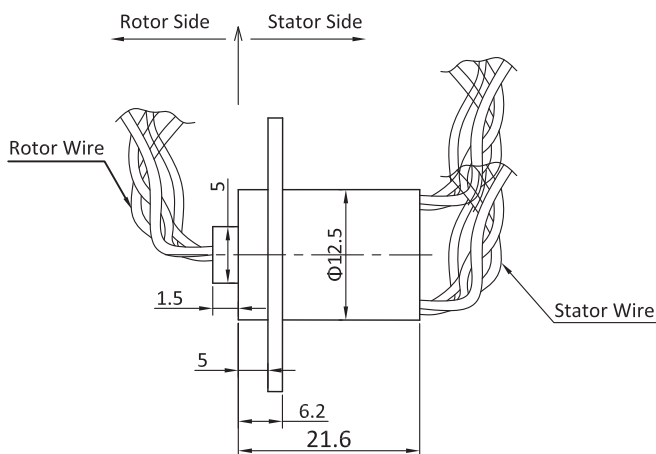
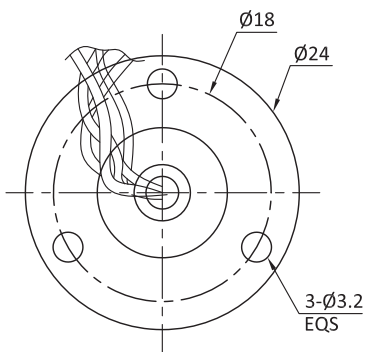
MOS12

9

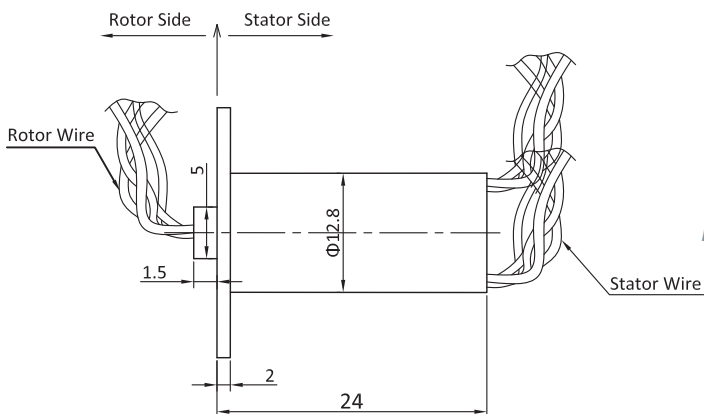
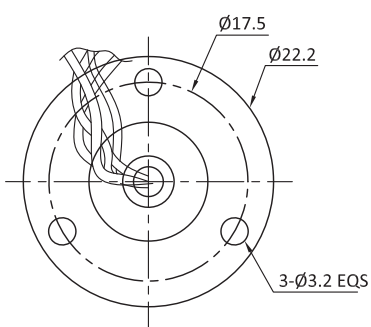
MOS12 Series Dimensions



MOS12-06



MOS12-12



MOS12-18

Notes:

- 1. Drawings not actual size, dimensions are in millimeters

Lead wire color code(From the rotor)

Ring#	Color	Description/AWG	Ring#	Color	Description/AWG
1	BLK	Signal / 1.5A, AWG30#	7	BLU	Signal / 1.5A, AWG30#
2	BRN		8	VIO	
3	RED		9	GRY	
4	ORN		10	WHT	
5	YEL		11	PINK	
6	GRN		12	SOFT-BLU	

Notes:

12 wires for 1 group color, from 12~24 circuits would repeat the same color.

MOS15 Series Overview

Description

MOS15 was a standard capsule slip ring, diameter 15.5mm, length can be 39mm, compact design with gold contact, can top to 24 circuits, high performance color lead wire. Perfect for transfer precision signal, low current. Small torque, low noise and loss, non-maintenance.



Features

- 24 circuit models
- Gold-on-gold contacts
- Flexible, color-coded, silver-plated Teflon® insulated lead wires
- Transfers analog and digital signals

Typical Applications

- CCTV pan / tilt camera mounts
- Electrical test equipment
- Manufacturing and process control equipment
- Exhibit / display equipment
- Medical equipment

Specifications

Item	
Operating Speed	Max.250 RPM*
Number of Circuits	24 wires
Lead Wire	AWG30# Teflon, 300mm
Voltage	240V AC/DC
Operating Temperature	-20 ℃ to 60 ℃
Current Rating	Signal / 2A circuits
Noise	<0.01Ω
Torque	0.02N.m
Housing Material	Plastic
Protection Grade	IP51

* Please note that the operational life of the unit is dependent upon rotational speed, environment and temperature

Options

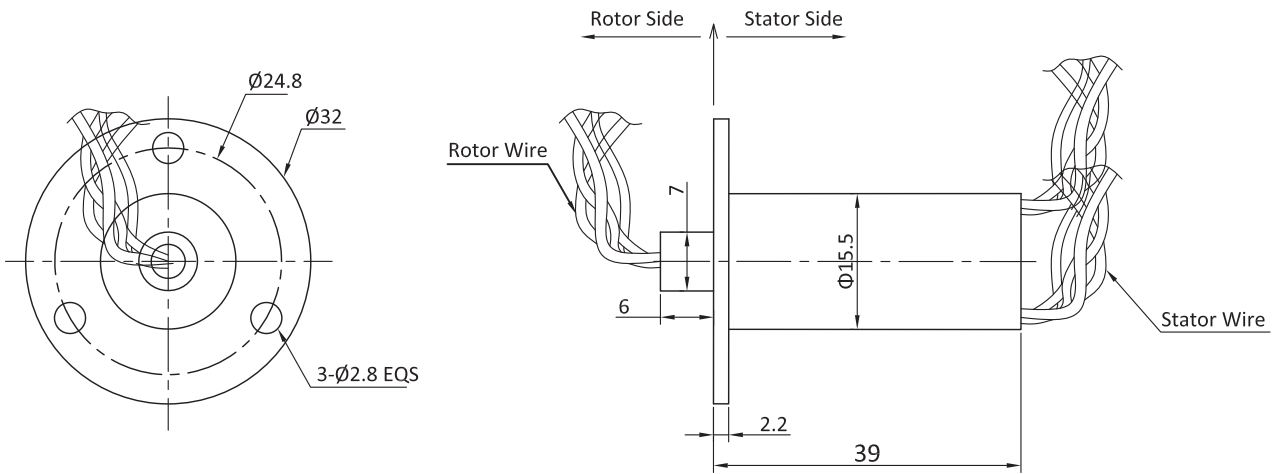
- Optional flange mounting.
- Specified connectors and Heat-shrink tube.
- Longer lead lengths available.
- Ethernet, USB, HDMI data transmission are available.
- Hybrid Pneumatic/hydraulic and electric slip ring can be mixed.

INTRODUCE

MOS15

11

MOS15 Series Dimensions



Notes:

- 1. Drawings not actual size, dimensions are in millimeters

Part# List

Model#	Power Circuits(5A/10A)	Signal (2A)	Voltage(V)	OD(mm)	Length(mm)
MOS15-24	-	24	240	15.5	39

Lead wire color code(From the rotor)

Ring#	Color	Description/AWG	Ring#	Color	Description/AWG
1	BLK	Signal / 2A, AWG28#	7	BLU	Signal / 2A, AWG28#
2	BRN		8	VIO	
3	RED		9	GRY	
4	ORN		10	WHT	
5	YEL		11	PINK	
6	GRN		12	SOFT-BLU	

Notes:

12 wires for 1 group color, from 12~24 circuits would repeat the same color.

MOS22 Series Overview

Description

MOS22 was a standard capsule slip ring, diameter 22mm, length can be from 19mm to 48.4mm, compact design with gold contact, can top to 36 circuits, high performance color lead wire. Perfect for transfer precision signal, low current. Small torque, low noise and loss, non-maintenance.



Features

- 6, 12, 18, 24, 36 circuit models
- Gold-on-gold contacts
- Flexible, color-coded, silver-plated Teflon® insulated lead wires
- Transfers analog and digital signals

Typical Applications

- CCTV pan / tilt camera mounts
- Electrical test equipment
- Manufacturing and process control equipment
- Exhibit / display equipment
- Medical equipment

Specifications

Item	
Operating Speed	Max.250 RPM*
Number of Circuits	2~36 wires
Lead Wire	AWG28#, AWG30# Teflon, 300mm
Voltage	240V AC/DC
Operating Temperature	-20 ℃ to 60 ℃
Current Rating	Signal / 2A circuits
Noise	<0.01Ω
Torque	0.02N.m
Housing Material	Plastic
Protection Grade	IP51

* Please note that the operational life of the unit is dependent upon rotational speed, environment and temperature

Options

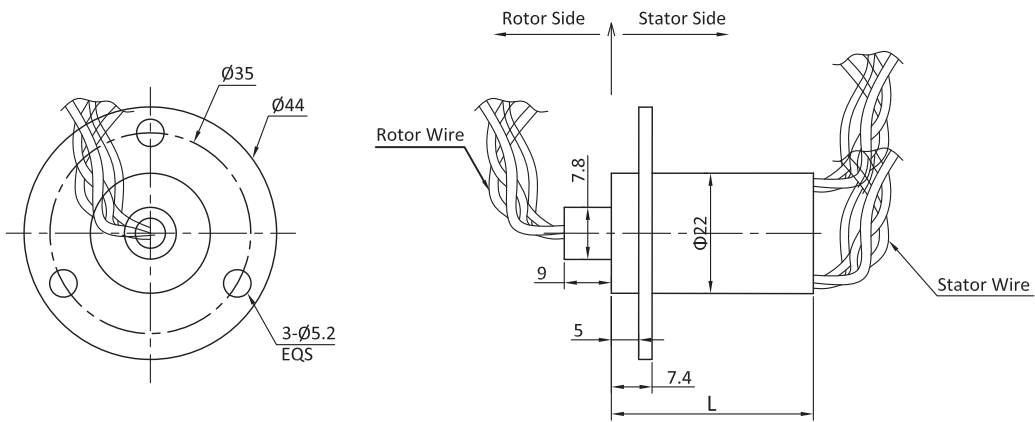
- Optional flange mounting.
- Specified connectors and Heat-shrink tube.
- Longer lead lengths available.
- Ethernet, USB, HDMI data transmission are available.
- Hybrid Pneumatic/hydraulic and electric slip ring can be mixed.

INTRODUCE

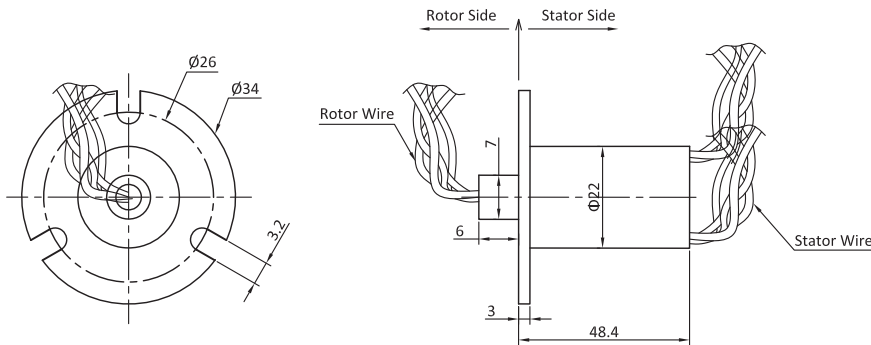
MOS22

13

MOS22 Series Dimensions



MOS22-36



Notes:

1. Drawings not actual size, dimensions are in millimeters

Part# List

Model#	Power Circuits(5A/10A)	Signal (2A)	Voltage(V)	OD(mm)	Length(mm)
MOS22-06	-	6	240	22	19
MOS22-08	-	8	240	22	26.4
MOS22-12	-	12	240	22	26.4
MOS22-18	-	18	240	22	35
MOS22-24	-	24	240	22	42.5
MOS22-36	-	36	240	22	48.4

Lead wire color code(From the rotor)

Ring#	Color	Description/AWG	Ring#	Color	Description/AWG
1	BLK	Signal / 2A, AWG28#	7	BLU	Signal / 2A, AWG28#
2	BRN		8	VIO	
3	RED		9	GRY	
4	ORN		10	WHT	
5	YEL		11	PINK	
6	GRN		12	SOFT-BLU	

Notes:

12 wires for 1 group color, from 12~24 circuits would repeat the same color.

MOS25 Series Overview

Description

MOS25 was a standard capsule slip ring, diameter 25mm, length can be 85.7mm, compact design with gold contact, can top to 56 circuits, high performance color lead wire. Perfect for transfer precision signal, low current. Small torque, low noise and loss, non-maintenance.



Features

- 56 circuit models
- Gold-on-gold contacts
- Flexible, color-coded, silver-plated, Teflon® insulated lead wires
- Transfers analog and digital signals

Typical Application

- CCTV pan / tilt camera mounts
- Electrical test equipment
- Manufacturing and process control equipment
- Exhibit / display equipment
- Medical equipment

Specifications

Item	
Operating Speed	Max.250 RPM*
Number of Circuits	56 wires
Lead Wire	AWG28#, AWG30# Teflon, 300mm
Voltage	240V AC/DC
Operating Temperature	-20 ℃ to 60 ℃
Current Rating	Signal / 2A circuits
Noise	<0.01Ω
Torque	0.02N.m
Housing Material	Plastic
Protection Grade	IP51

* Please note that the operational life of the unit is dependent upon rotational speed, environment and temperature

Options

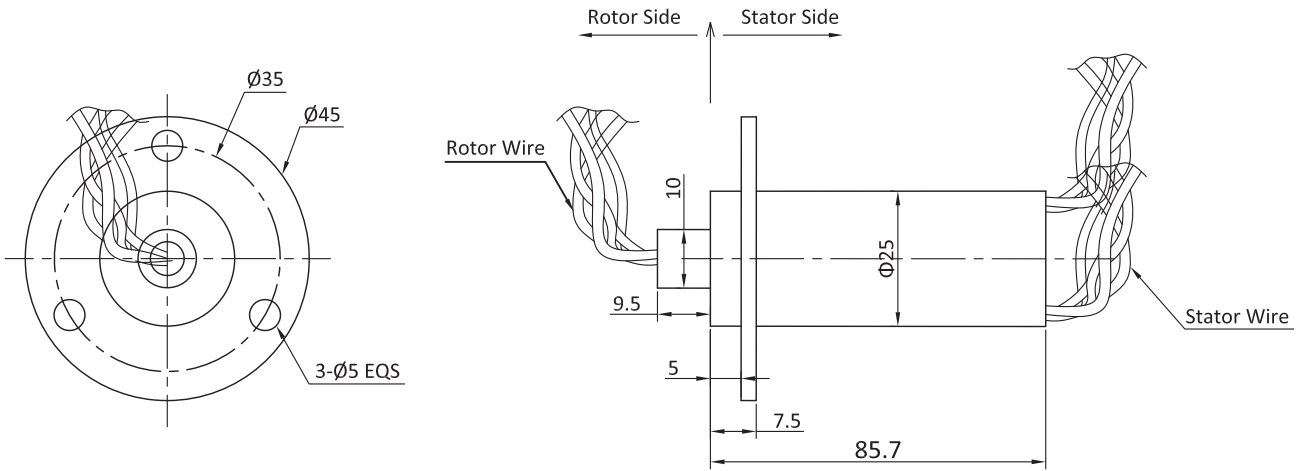
- Optional flange mounting.
- Specified connectors and Heat-shrink tube.
- Longer lead lengths available.
- Ethernet, USB, HDMI data transmission are available.
- Hybrid Pneumatic/hydraulic and electric slip ring can be mixed.

INTRODUCE

MOS25

15

MOS25 Series Dimensions



Notes:

- 1. Drawings not actual size, dimensions are in millimeters

Part# List

Model#	Power Circuits(5A/10A)	Signal (2A)	Voltage(V)	OD(mm)	Length(mm)
MOS25-56	-	56	240	25	85.7

Lead wire color code(From the rotor)					
Ring#	Color	Description/AWG	Ring#	Color	Description/AWG
1	BLK	Signal / 2A, AWG28#	7	BLU	Signal / 2A, AWG28#
2	BRN		8	VIO	
3	RED		9	GRY	
4	ORN		10	WHT	
5	YEL		11	PINK	
6	GRN		12	SOFT-BLU	

Notes:

12 wires for 1 group color, from 12~24 circuits would repeat the same color.

MOS30 Series Overview

Description

MOS30 was a standard capsule slip ring, diameter 30mm, length can be 76.4mm, compact design with gold contact, can top to 54 circuits, high performance color lead wire. Perfect for transfer precision signal, low current. Small torque, low noise and loss, non-maintenance.

Features

- 54 circuit models
- Gold-on-gold contacts
- Flexible, color-coded, silver-plated, Teflon® insulated lead wires
- Transfers analog and digital signals

Typical Applications

- CCTV pan / tilt camera mounts
- Electrical test equipment
- Manufacturing and process control equipment
- Exhibit / display equipment
- Medical equipment

Specifications

Item	
Operating Speed	Max.250 RPM*
Number of Circuits	54 wires
Lead Wire	AWG28#, Teflon, 300mm
Voltage	240V AC/DC
Operating Temperature	-20 ℃ to 60 ℃
Current Rating	Signal / 2A circuits
Noise	<0.01Ω
Torque	0.02N.m
Housing Material	Plastic
Protection Grade	IP51

* Please note that the operational life of the unit is dependent upon rotational speed, environment and temperature

Options

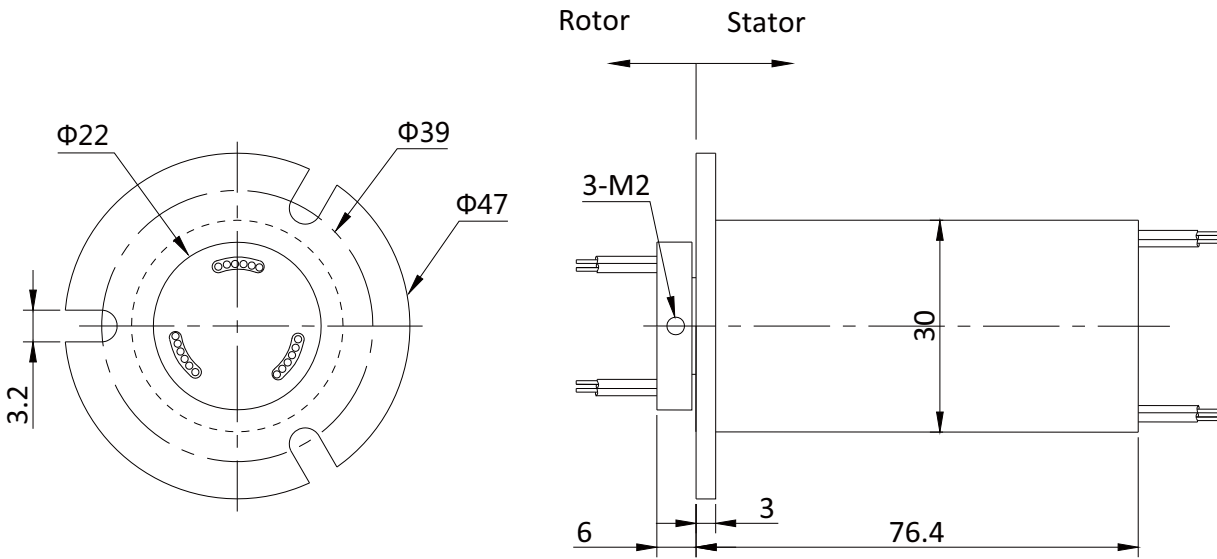
- Optional flange mounting.
- Specified connectors and Heat-shrink tube.
- Longer lead lengths available.
- Ethernet, USB, HDMI data transmission are available.
- Hybrid Pneumatic/hydraulic and electric slip ring can be mixed.

INTRODUCE

MOS30

17

MOS30 Series Dimensions



Notes:

- 1. Drawings not actual size, dimensions are in millimeters

Part# List

Model#	Power Circuits(5A/10A)	Signal (2A)	Voltage(V)	OD(mm)	Length(mm)
MOS30-S54	-	54	240	30	76.4

Lead wire color code(From the rotor)

Ring#	Color	Description/AWG	Ring#	Color	Description/AWG
1	BLK	Signal / 2A, AWG28#	7	BLU	Signal / 2A, AWG28#
2	BRN		8	VIO	
3	RED		9	GRY	
4	ORN		10	WHT	
5	YEL		11	PINK	
6	GRN		12	SOFT-BLU	

Notes:

12 wires for 1 group color, from 12~24 circuits would repeat the same color.