

# MP-G-XT Pneumatic Rotary Union

1

Cosmau MP-G-XT series multiple passage rotary unions with 2 ~16 channel for media transfer, design for compressed air, gas in rotating system.



## Features:

- Transmit compressed air, gas when 360° unrestricted rotation
- Combined with electrical slip ring, transfer power, control signal, data
- Lightweight, compact, very low torque, affordable price
- Through hole or flange structure optional
- Available all kinds of custom solutions

## MP-G SERIES MODEL#

Model#	Pneumatic Channel	Pressure	Connection Size	Speed
MP2-G-XT	2	-100 kPa ~ 1 MPa	M5, 1/8", 1/4", 3/8"	Max. 400 RPM
MP3-G-XT	3	-100 kPa ~ 1 MPa	M5, 1/8", 1/4", 3/8"	Max. 400 RPM
MP4-G-XT	4	-100 kPa ~ 1 MPa	M5, 1/8", 1/4", 3/8"	Max. 300 RPM
MP6-G-XT	6	-100kPa ~ 1 MPa	M5, 1/8", 1/4", 3/8"	Max. 300 RPM
MP8-G-XT	8	-100kPa ~ 1MPa	M5, 1/8", 1/4"	Max. 250 RPM

## MP2-G-XT Series Overview

### Description

Cosmau MP2-G-XT series multiple passage rotary unions with 2 channel for media transfer, design for compressed air, gas in rotating system.

- Transmit compressed air, gas when 360° unrestricted rotation
- Combined with electrical slip ring, transfer power, control signal, data
- Through hole or flange structure optional
- Available all kinds of custom solutions



### Specifications

Item	
Pneumatic Channel	2
Pressure	-100kPa ~ 10bar
Connection Size	M5, 1/8" 1/4", 3/8"
Connection Type	BSP
Operating Temperature	-18° C to 120° C
Suitable Media	Air / Gas / Vacuum
Speed	200 RPM (reference value)
Material	AL alloy housing, Carbon Steel Shaft
Service life	80 million rotations

**Note:** All values listed under Technical Specifications are dependent on a combination of all application parameters. Please note service life is dependent upon both rotational speed and duty cycle.

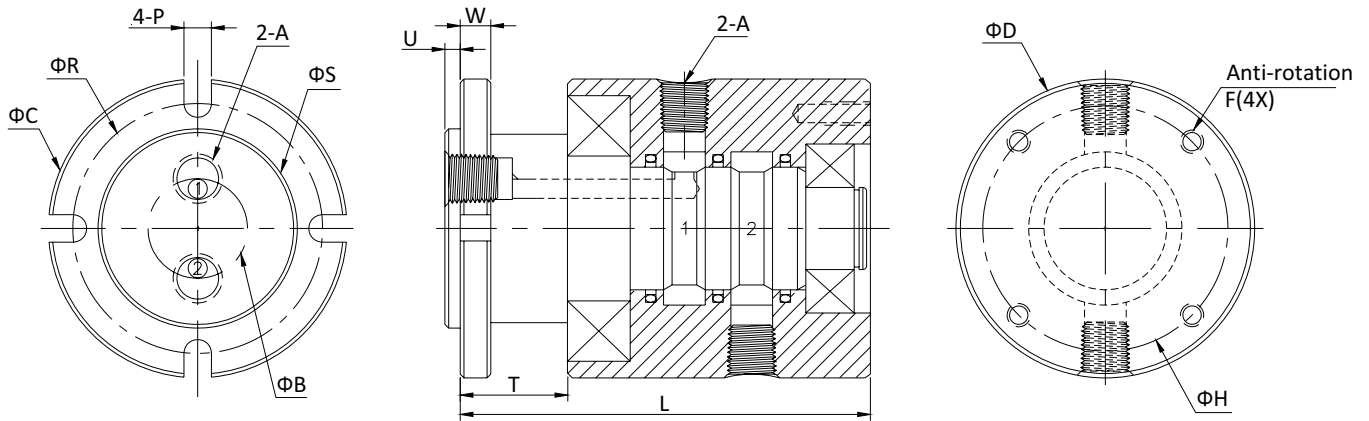
### Options

- Mounting Flange
- Connection Size
- Connection Type
- Material
- Pressure
- Media
- Optional Speed
- Combine with electrical slip ring

## INTRODUCE

## MP2-G

## MP2-G-XT Series Dimensions



Part#	A(BSPP/NPT)	ΦB	ΦC	ΦD	ΦR	ΦS	U	W	T	P	F	ΦH	L
MP-201-G-XT	1/8"	16	54	54	45	34	2	5	21.5	5.2	M5	45	75.5
MP-202-G-XT	1/4"	19	59	59	50	40	2	5	21.5	5.2	M5	50	79.9
MP-203-G-XT	3/8"	23	74	74	63.5	49	2	6	21.5	6.5	M6	63.5	84.9

## MP3-G-XT Series Overview

### Description

Cosmau MP3-G-XT series multiple passage rotary unions with 3 channel for media transfer, design for compressed air, gas in rotating system.

- Transmit compressed air, gas when 360° unrestricted rotation
- Combined with electrical slip ring, transfer power, control signal, data
- Through hole or flange structure optional
- Available all kinds of custom solutions



### Specifications

Item	
Pneumatic Channel	3
Pressure	-100kPa ~ 10bar
Connection Size	M5, 1/8" 1/4", 3/8"
Connection Type	BSPP
Operating Temperature	-18° C to 120° C
Suitable Media	Air / Gas / Vacuum
Speed	200 RPM (reference value)
Material	AL alloy housing, Carbon Steel Shaft
Service life	80 million rotations

**Note:** All values listed under Technical Specifications are dependent on a combination of all application parameters. Please note service life is dependent upon both rotational speed and duty cycle.

### Options

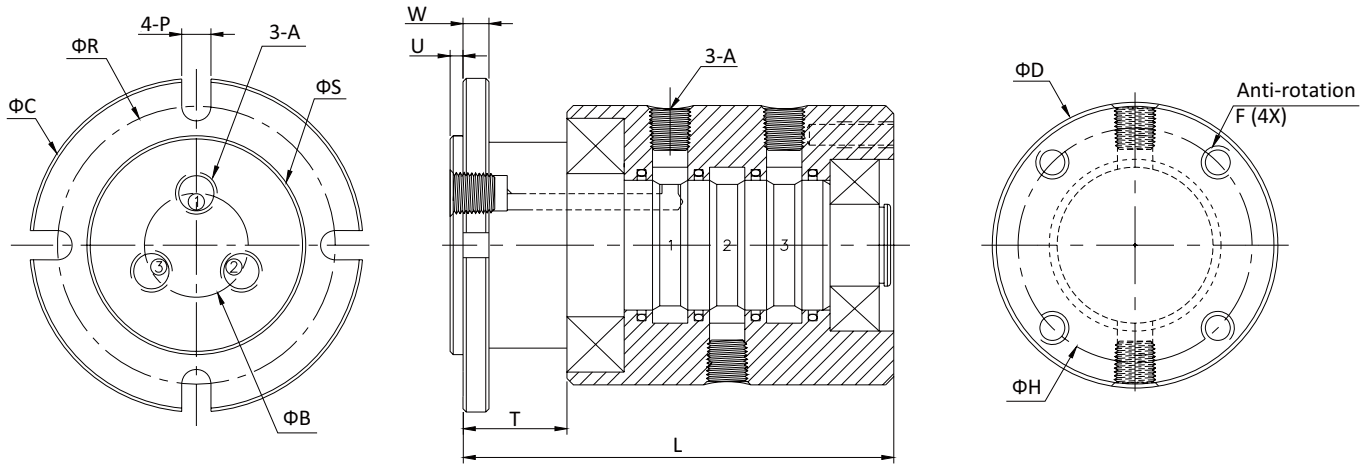
- Mounting Flange
- Connection Size
- Connection Type
- Material
- Pressure
- Media
- Optional Speed
- Combine with electrical slip ring

# INTRODUCE

## MP3-G-XT

5

### MP3-G-XT Series Dimensions



Part#	A(BSPP/NPT)	ΦB	ΦC	ΦD	ΦR	ΦS	U	W	T	P	F	ΦH	L
MP-301-G-XT	1/8"	20	59	59	50	40	2	5	21.5	5.2	M5	50	88.9
MP-302-G-XT	1/4"	21	59	59	50	40	2	5	21.5	5.2	M5	50	91.9
MP-303-G-XT	3/8"	26	74	74	63.5	50	2	6	21.5	6.5	M6	63.5	98.9

## MP4-G-XT Series Overview

### Description

Cosmau MP4-G-XT series multiple passage rotary unions with 4 channel for media transfer, design for compressed air, gas in rotating system.

- Transmit compressed air, gas when 360°unrestricted rotation
- Combined with electrical slip ring,transfer power,control signal, data
- Through hole or flange structure optional
- Available all kinds of custom solutions



### Specifications

Item	
Pneumatic Channel	4
Pressure	-100kPa ~ 10bar
Connection Szie	M5, 1/8" 1/4", 3/8"
Connection Type	BSPP
Operating Temperature	-18° C to 120° C
Suitable Media	Air / Gas / Vacuum
Speed	200 RPM (reference value)
Material	AL alloy housing, Carbon Steel Shaft
Service life	80 million rotations

**Note:** All values listed under Technical Specifications are dependent on a combination of all application parameters. Please note service life is dependent upon both rotational speed and duty cycle.

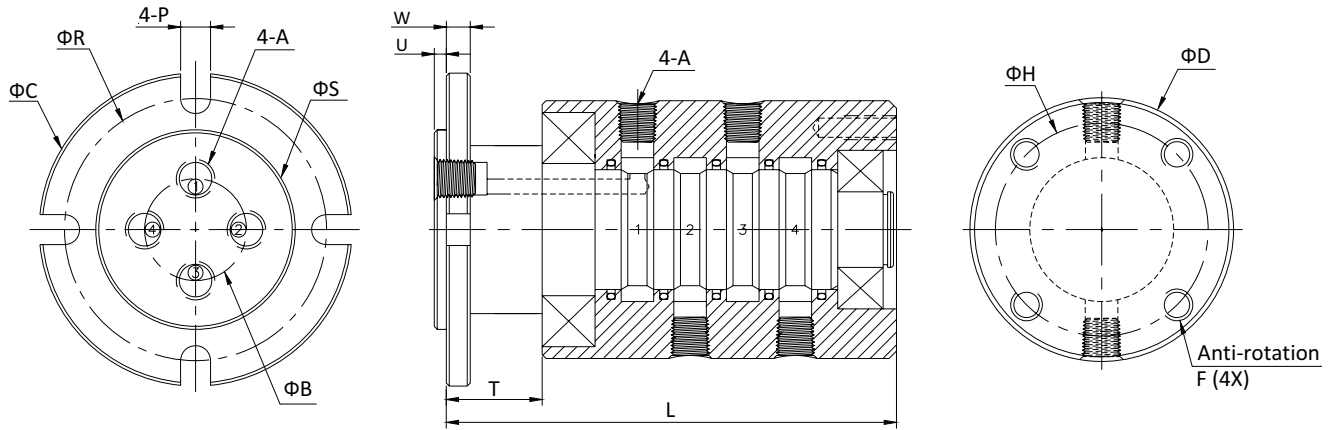
### Options

- Mounting Flange
- Connection Size
- Connection Type
- Material
- Pressure
- Media
- Optional Speed
- Combine with electrical slip ring

## INTRODUCE

## MP4-G-XT

## MP4-G-XT Series Dimensions



Part#	A(BSPP/NPT)	$\Phi B$	$\Phi C$	$\Phi D$	$\Phi R$	$\Phi S$	U	W	T	P	F	$\Phi H$	L
MP-401-G-XT	1/8"	21	59	59	50	40	2	5	21.5	5.2	M5	50	99.9
MP-402-G-XT	1/4"	26	64	64	55	45	2	5	21.5	5.2	M5	55	103.9
MP-403-G-XT	3/8"	31	79	79	68.5	56	2	6	21.5	6.5	M6	68.5	112.9

## MP6-G-XT Series Overview

### Description

Cosmau MP6-G-XT series multiple passage rotary unions with 6 channel for media transfer, design for compressed air, gas in rotating system.

- Transmit compressed air, gas when 360°unrestricted rotation
- Combined with electrical slip ring,transfer power,control signal, data
- Through hole or flange structure optional
- Available all kinds of custom solutions



### Specifications

Item	
Pneumatic Channel	6
Pressure	-100kPa ~ 10bar
Connection Szie	M5, 1/8" 1/4", 3/8"
Connection Type	BSPP
Operating Temperature	-18° C to 120° C
Suitable Media	Air / Gas / Vacuum
Speed	200 RPM (reference value)
Material	AL alloy housing, Carbon Steel Shaft
Service life	80 million rotations

**Note:** All values listed under Technical Specifications are dependent on a combination of all application parameters. Please note service life is dependent upon both rotational speed and duty cycle.

### Options

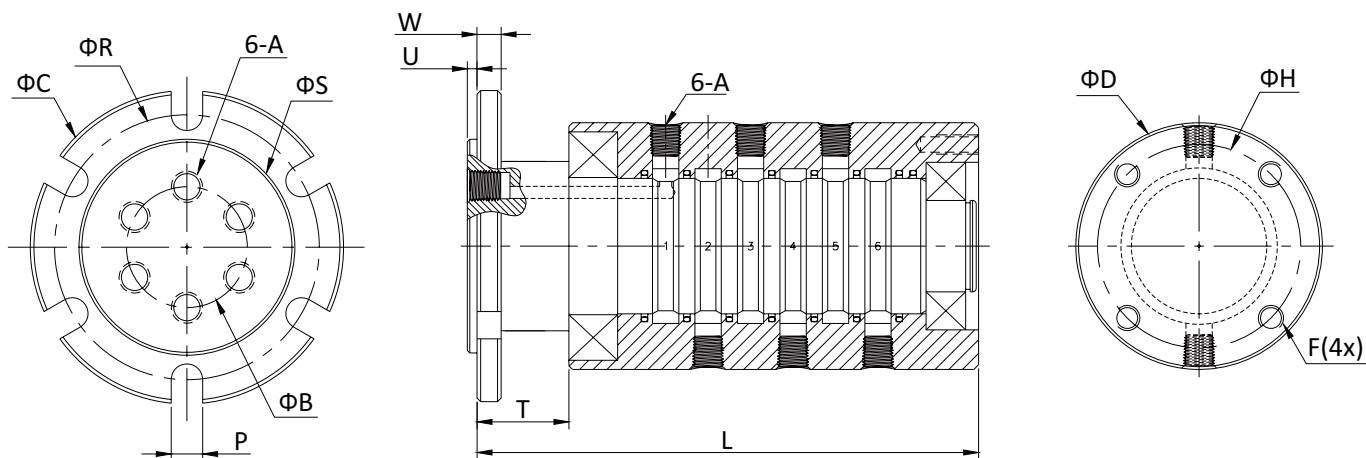
- Mounting Flange
- Connection Size
- Connection Type
- Material
- Pressure
- Media
- Optional Speed
- Combine with electrical slip ring



## INTRODUCE

## MP6-G-XT

## MP6-G-XT Series Dimensions



Part#	A(BSPP/NPT)	ΦB	ΦC	ΦD	ΦR	ΦS	U	W	T	P	F	ΦH	L
MP-601-G-XT	1/8"	33	69	59	60	49.5	2	5	21.5	5.2	M5	50	122.9
MP-602-G-XT	1/4"	39	79	59	69	58	2	5	21.5	6.5	M6	49	129.9
MP-603-G-XT	3/8"	48	94	74	83.5	72	2	6	25.5	6.5	M6	64	146.9

## MP8-G-XT Series Overview

### Description

Cosmau MP8-G-XT series multiple passage rotary unions with 8 channel for media transfer, design for compressed air, gas in rotating system.

- Transmit compressed air, gas when 360° unrestricted rotation
- Combined with electrical slip ring, transfer power, control signal, data
- Through hole or flange structure optional
- Available all kinds of custom solutions



### Specifications

Item	
Pneumatic Channel	8
Pressure	-100kPa ~ 10bar
Connection Size	M5, 1/8" 1/4"
Connection Type	BSPP
Operating Temperature	-18° C to 120° C
Suitable Media	Air / Gas / Vacuum
Speed	200 RPM (reference value)
Material	AL alloy housing, Carbon Steel Shaft
Service life	80 million rotations

**Note:** All values listed under Technical Specifications are dependent on a combination of all application parameters. Please note service life is dependent upon both rotational speed and duty cycle.

### Options

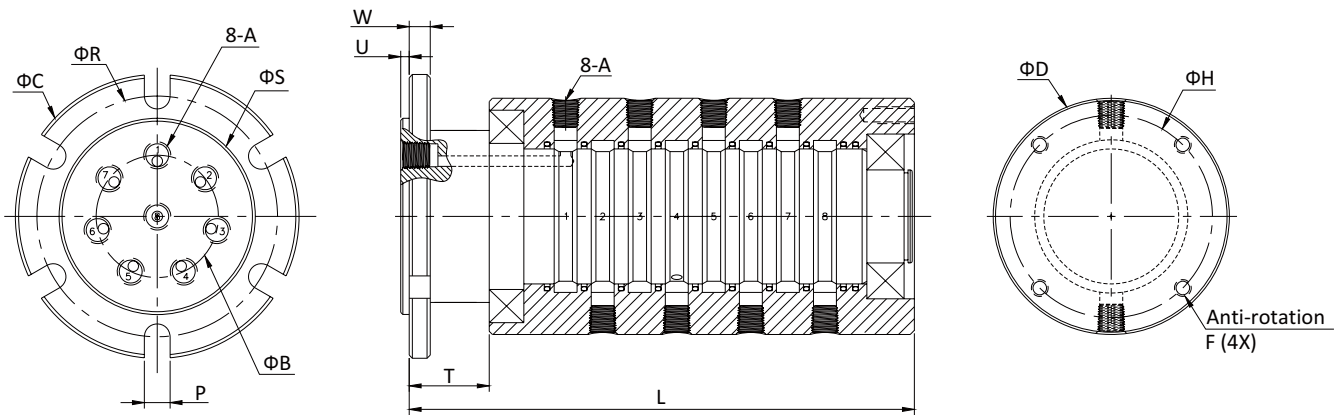
- Mounting Flange
- Connection Size
- Connection Type
- Material
- Pressure
- Media
- Optional Speed
- Combine with electrical slip ring

# INTRODUCE

## MP8-G-XT

11

### MP8-G-XT Series Dimensions



Part#	A(BSPP/NPT)	ΦB	ΦC	ΦD	ΦR	ΦS	U	W	T	P	F	ΦH	L
MP-801-G-XT	1/8"	42	79.5	69	69	58	2	6	21.5	6.5	M6	59	146.9
MP-802-G-XT	1/4"	48	89	69	78.5	67.5	2	6	21.5	6.5	M6	59	154.9