

# MP-G Series Pneumatic Rotary Union

1

Cosmau MP-G series multiple passage rotary unions with 2 ~16 channel for media transfer, design for compressed air, gas in rotating system.



## Features:

- Transmit compressed air, gas when 360°unrestricted rotation
- Combined with electrical slip ring,transfer power,control signal, data
- Lightweight, compact, very low torque, affordable price
- Through hole or flange structure optional
- Available all kinds of custom solutions

## MP-G SERIES MODEL#

Model#	Pneumatic Channel	Pressure	Connection Size	Speed
MP2-G	2	-100 kPa ~ 1 MPa	M5, 1/8", 1/4", 3/8", 1/2"	Max. 300 RPM
MP4-G	4	-100 kPa ~ 1 MPa	M5, 1/8", 1/4", 3/8", 1/2"	Max. 300 RPM
MP6-G	6	-100 kPa ~ 1MPa	M5, 1/8", 1/4", 3/8", 1/2"	Max. 300 RPM
MP8-G	8	-100kPa ~ 1 MPa	M5, 1/8", 1/4", 3/8"	Max. 300 RPM

## MP2-G Series Overview

### Description

Cosmau MP2-G series multiple passage rotary unions with 2 channel for media transfer, design for compressed air, gas in rotating system.

- Transmit compressed air, gas when 360°unrestricted rotation
- Combined with electrical slip ring,transfer power,control signal, data
- Through hole or flange structure optional
- Available all kinds of custom solutions



### Specifications

Item	
Pneumatic Channel	2
Pressure	-100kPa ~ 10bar
Connection Szie	M5, 1/8" 1/4", 3/8", 1/2"
Connection Type	NPT, BSPP
Operating Temperature	-5° C to 80° C
Suitable Media	Air / Gas / Vacuum
Speed	200 RPM (reference value)
Material	AL alloy

All values listed under Technical Specifications are dependent on a combination of all application parameters. Please note operational life is dependent upon both rotational speed and duty cycle.

### Options

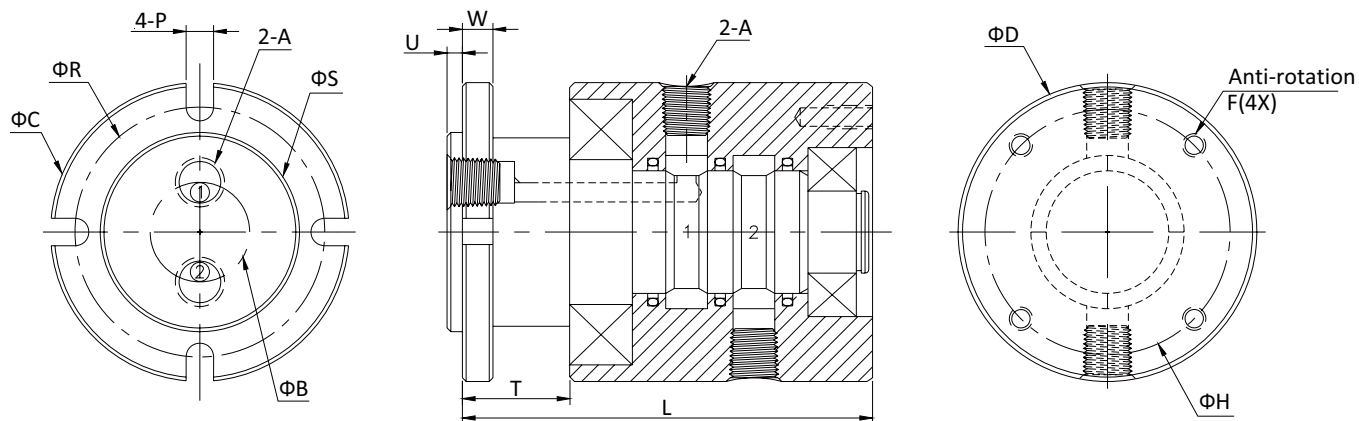
- Mounting Flange
- Connection Size
- Connection Type
- Material
- Pressure
- Media
- Optional Speed
- Combine with electrical slip ring

## INTRODUCE

## MP2-G

3

## MP2-G Series Dimensions



Part#	A(BSPP/NPT)	ΦB	ΦC	ΦD	ΦR	ΦS	U	W	T	P	F	ΦH	L
MP-201-G	1/8"	17	54.5	54.5	44.5	34	3	6	21	5.2	M5	44.5	69.6
MP-202-G	1/4"	20	59.5	59.5	50	40	3	6	21	5.2	M5	50	72.6
MP-203-G	3/8"	23	69.5	69.5	59	47	3	6	21	6.5	M6	59	80.5
MP-204-G	1/2"	27	79.5	79.5	69	58	3	7	25	6.5	M6	69	91.5

## MP3-G Series Overview

### Description

Cosmau MP3-G series multiple passage rotary unions with 3 channel for media transfer, design for compressed air, gas in rotating system.

- Transmit compressed air, gas when 360°unrestricted rotation
- Combined with electrical slip ring,transfer power,control signal, data
- Through hole or flange structure optional
- Available all kinds of custom solutions



### Specifications

Item	
Pneumatic Channel	3
Pressure	-100kPa ~ 10bar
Connection Szie	M5, 1/8" 1/4", 3/8", 1/2"
Connection Type	NPT, BSPP
Operating Temperature	-5° C to 80° C
Suitable Media	Air / Gas / Vacuum
Speed	200 RPM (reference value)
Material	AL alloy

All values listed under Technical Specifications are dependent on a combination of all application parameters. Please note operational life is dependent upon both rotational speed and duty cycle.

### Options

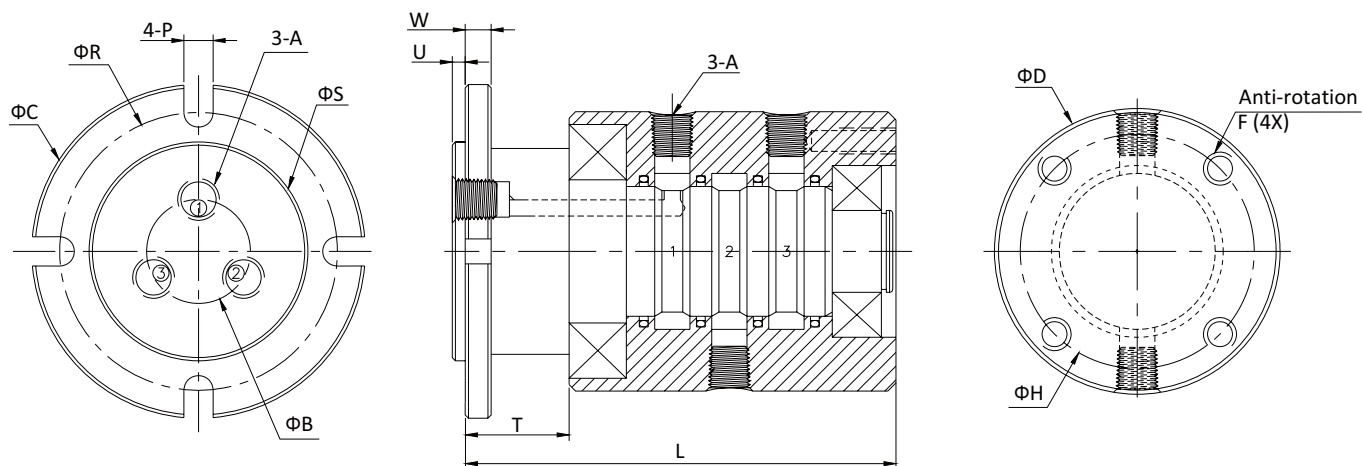
- Mounting Flange
- Connection Size
- Connection Type
- Material
- Pressure
- Media
- Optional Speed
- Combine with electrical slip ring

## INTRODUCE

## MP3-G

5

## MP3-G Series Dimensions



Part#	A(BSPP/NPT)	$\Phi B$	$\Phi C$	$\Phi D$	$\Phi R$	$\Phi S$	U	W	T	P	F	$\Phi H$	L
MP-301-G	1/8"	20	59.5	59.5	50	40	3	6	21	5.2	M5	50	78.8
MP-302-G	1/4"	22	59.5	59.5	50	40	3	6	21	5.2	M5	50	83.4
MP-303-G	3/8"	27	79.5	79.5	69	57	3	6	21	M6	M6	69	94.1
MP-304-G	1/2"	32	89.5	89.5	79	64	3	7	25	M6	M6	79	107.4

## MP4-G Series Overview

### Description

Cosmau MP4-G series multiple passage rotary unions with 4 channel for media transfer, design for compressed air, gas in rotating system.

- Transmit compressed air, gas when 360°unrestricted rotation
- Combined with electrical slip ring,transfer power,control signal, data
- Through hole or flange structure optional
- Available all kinds of custom solutions



### Specifications

Item	
Pneumatic Channel	4
Pressure	-100kPa ~ 10bar
Connection Szie	M5, 1/8" 1/4", 3/8", 1/2"
Connection Type	NPT, BSPP
Operating Temperature	-5° C to 80° C
Suitable Media	Air / Gas / Vacuum
Speed	200 RPM (reference value)
Material	AL alloy

All values listed under Technical Specifications are dependent on a combination of all application parameters. Please note operational life is dependent upon both rotational speed and duty cycle.

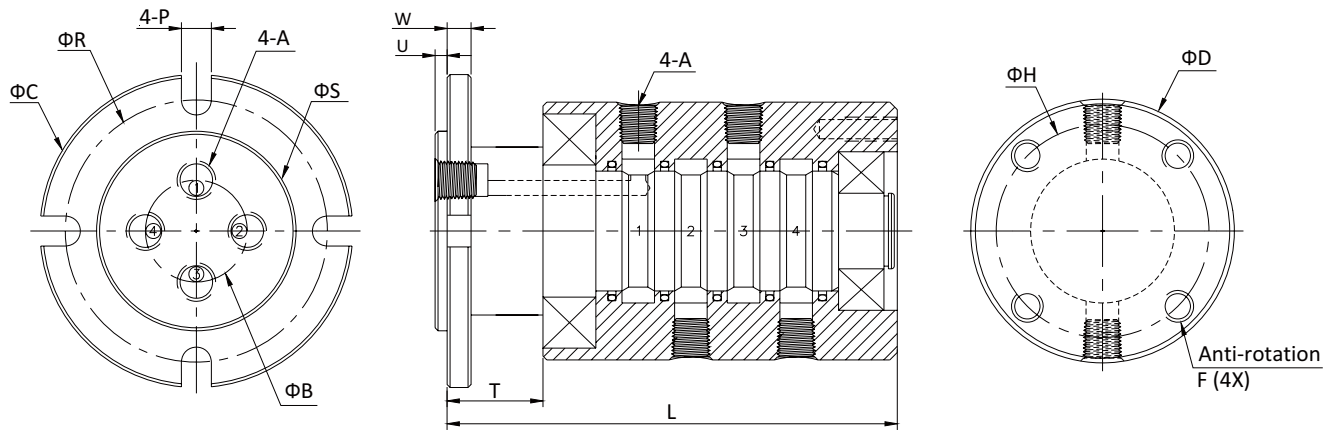
### Options

- Mounting Flange
- Connection Size
- Connection Type
- Material
- Pressure
- Media
- Optional Speed
- Combine with electrical slip ring

## INTRODUCE

## MP4-G

## MP4-G Series Dimensions



Part#	A(BSPP/NPT)	$\Phi B$	$\Phi C$	$\Phi D$	$\Phi R$	$\Phi S$	U	W	T	P	F	$\Phi H$	L
MP-401-G	1/8"	24	59.5	59.5	50	40	3	6	21	5.2	M5	50	92.3
MP-402-G	1/4"	26	64.5	64.5	55	45	3	6	21	5.2	M5	55	95.2
MP-403-G	3/8"	32	79.5	79.5	69	56	3	6	21	6.5	M6	69	108.8
MP-404-G	1/2"	37	94.5	94.5	83	69	3	7	25	6.5	M6	83	123.5

## MP6-G Series Overview

### Description

Cosmau MP6-G series multiple passage rotary unions with 6 channel for media transfer, design for compressed air, gas in rotating system.

- Transmit compressed air, gas when 360° unrestricted rotation
- Combined with electrical slip ring, transfer power, control signal, data
- Through hole or flange structure optional
- Available all kinds of custom solutions



### Specifications

Item	
Pneumatic Channel	6
Pressure	-100kPa ~ 10bar
Connection Size	M5, 1/8" 1/4", 3/8"
Connection Type	NPT, BSPP
Operating Temperature	-5° C to 80° C
Suitable Media	Air / Gas / Vacuum
Speed	200 RPM (reference value)
Housing Material	AL alloy

All values listed under Technical Specifications are dependent on a combination of all application parameters. Please note operational life is dependent upon both rotational speed and duty cycle.

### Options

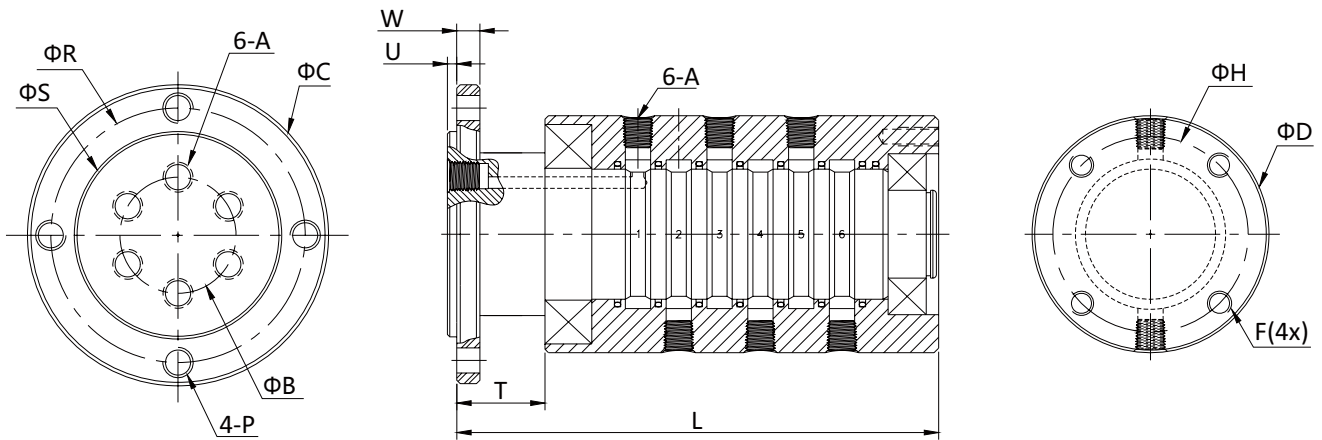
- Mounting Flange
- Connection Size
- Connection Type
- Material
- Pressure
- Media
- Optional Speed
- Combine with electrical slip ring



## INTRODUCE

## MP6-G

## MP6-G Series Dimensions



Part#	A(BSPP/NPT)	ΦB	ΦC	ΦD	ΦR	ΦS	U	W	T	P	F	ΦH	L
MP-601-G	1/8"	36	74.5	57	66	54	3	6	18	M5	M5	47	109.1
MP-602-G	1/4"	39	79.5	59.5	70	58	3	6	21.5	M5	M5	49	118
MP-603-G	3/8"	58	104.5	77.5	95	81.5	3	7	27.5	M5	M5	67	142.5

## MP8-G Series Overview

### Description

Cosmau MP8-G series multiple passage rotary unions with 8 channel for media transfer, design for compressed air, gas in rotating system.

- Transmit compressed air, gas when 360°unrestricted rotation
- Combined with electrical slip ring,transfer power,control signal, data
- Through hole or flange structure optional
- Available all kinds of custom solutions



### Specifications

Item	
Pneumatic Channel	8
Pressure	-100kPa ~ 10bar
Connection Szie	M5, 1/8" 1/4", 3/8"
Connection Type	NPT, BSPP
Operating Temperature	-5° C to 80° C
Suitable Media	Air / Gas / Vacuum
Speed	200 RPM (reference value)
Material	AL alloy

All values listed under Technical Specifications are dependent on a combination of all application parameters. Please note operational life is dependent upon both rotational speed and duty cycle.

### Options

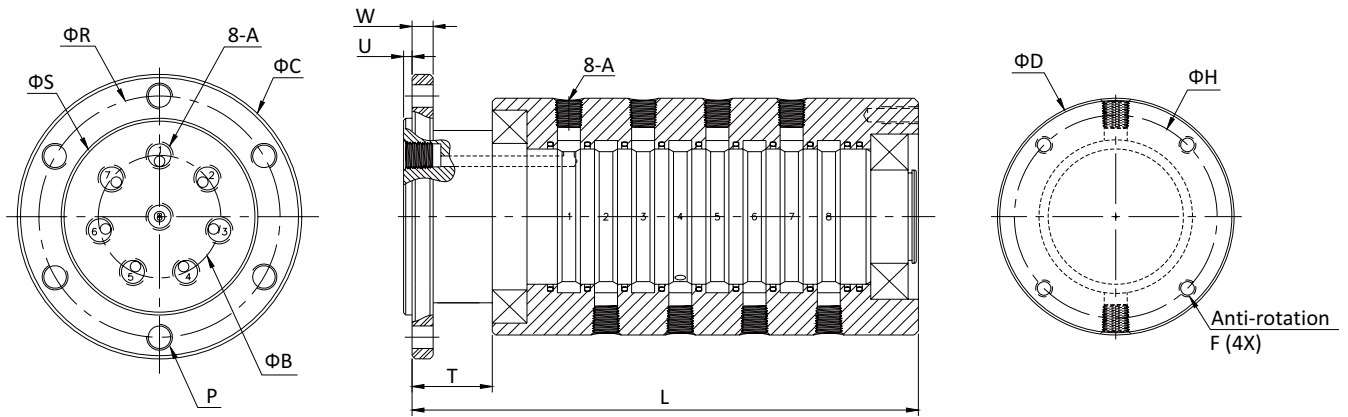
- Mounting Flange
- Connection Size
- Connection Type
- Material
- Pressure
- Media
- Optional Speed
- Combine with electrical slip ring

# INTRODUCE

## MP8-G

11

### MP8-G Series Dimensions



Part#	A(BSPP/NPT)	$\Phi B$	$\Phi C$	$\Phi D$	$\Phi R$	$\Phi S$	U	W	T	P	F	$\Phi H$	L
MP-801-G	1/8"	44	84	63.5	74	63	3	7	18	M5	M5	53	127.1
MP-802-G	1/4"	50	89.5	68.5	80.5	70	3	7	21.5	M5	M5	58	141.3
MP-803-G	1/2"	63	114	94.5	104	90	3	7	30.5	M5	M5	84	176.3

# MP-G-XT Pneumatic Rotary Union

1

Cosmau MP-G-XT series multiple passage rotary unions with 2 ~16 channel for media transfer, design for compressed air, gas in rotating system.



## Features:

- Transmit compressed air, gas when 360° unrestricted rotation
- Combined with electrical slip ring, transfer power, control signal, data
- Lightweight, compact, very low torque, affordable price
- Through hole or flange structure optional
- Available all kinds of custom solutions

## MP-G SERIES MODEL#

Model#	Pneumatic Channel	Pressure	Connection Size	Speed
MP2-G-XT	2	-100 kPa ~ 1 MPa	M5, 1/8", 1/4", 3/8"	Max. 400 RPM
MP3-G-XT	3	-100 kPa ~ 1 MPa	M5, 1/8", 1/4", 3/8"	Max. 400 RPM
MP4-G-XT	4	-100 kPa ~ 1 MPa	M5, 1/8", 1/4", 3/8"	Max. 300 RPM
MP6-G-XT	6	-100kPa ~ 1 MPa	M5, 1/8", 1/4", 3/8"	Max. 300 RPM
MP8-G-XT	8	-100kPa ~ 1MPa	M5, 1/8", 1/4"	Max. 250 RPM

## MP2-G-XT Series Overview

### Description

Cosmau MP2-G-XT series multiple passage rotary unions with 2 channel for media transfer, design for compressed air, gas in rotating system.

- Transmit compressed air, gas when 360° unrestricted rotation
- Combined with electrical slip ring, transfer power, control signal, data
- Through hole or flange structure optional
- Available all kinds of custom solutions



### Specifications

Item	
Pneumatic Channel	2
Pressure	-100kPa ~ 10bar
Connection Size	M5, 1/8" 1/4", 3/8"
Connection Type	BSP
Operating Temperature	-18° C to 120° C
Suitable Media	Air / Gas / Vacuum
Speed	200 RPM (reference value)
Material	AL alloy housing, Carbon Steel Shaft
Service life	80 million rotations

**Note:** All values listed under Technical Specifications are dependent on a combination of all application parameters. Please note service life is dependent upon both rotational speed and duty cycle.

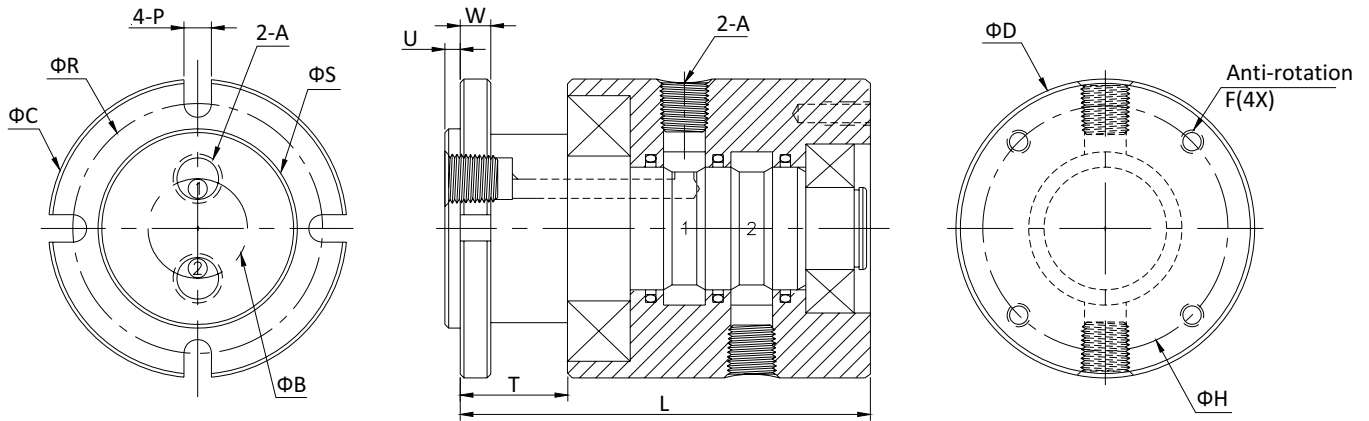
### Options

- Mounting Flange
- Connection Size
- Connection Type
- Material
- Pressure
- Media
- Optional Speed
- Combine with electrical slip ring

## INTRODUCE

## MP2-G

## MP2-G-XT Series Dimensions



Part#	A(BSPP/NPT)	ΦB	ΦC	ΦD	ΦR	ΦS	U	W	T	P	F	ΦH	L
MP-201-G-XT	1/8"	16	54	54	45	34	2	5	21.5	5.2	M5	45	75.5
MP-202-G-XT	1/4"	19	59	59	50	40	2	5	21.5	5.2	M5	50	79.9
MP-203-G-XT	3/8"	23	74	74	63.5	49	2	6	21.5	6.5	M6	63.5	84.9

## MP3-G-XT Series Overview

### Description

Cosmau MP3-G-XT series multiple passage rotary unions with 3 channel for media transfer, design for compressed air, gas in rotating system.

- Transmit compressed air, gas when 360° unrestricted rotation
- Combined with electrical slip ring, transfer power, control signal, data
- Through hole or flange structure optional
- Available all kinds of custom solutions



### Specifications

Item	
Pneumatic Channel	3
Pressure	-100kPa ~ 10bar
Connection Size	M5, 1/8" 1/4", 3/8"
Connection Type	BSPP
Operating Temperature	-18° C to 120° C
Suitable Media	Air / Gas / Vacuum
Speed	200 RPM (reference value)
Material	AL alloy housing, Carbon Steel Shaft
Service life	80 million rotations

**Note:** All values listed under Technical Specifications are dependent on a combination of all application parameters. Please note service life is dependent upon both rotational speed and duty cycle.

### Options

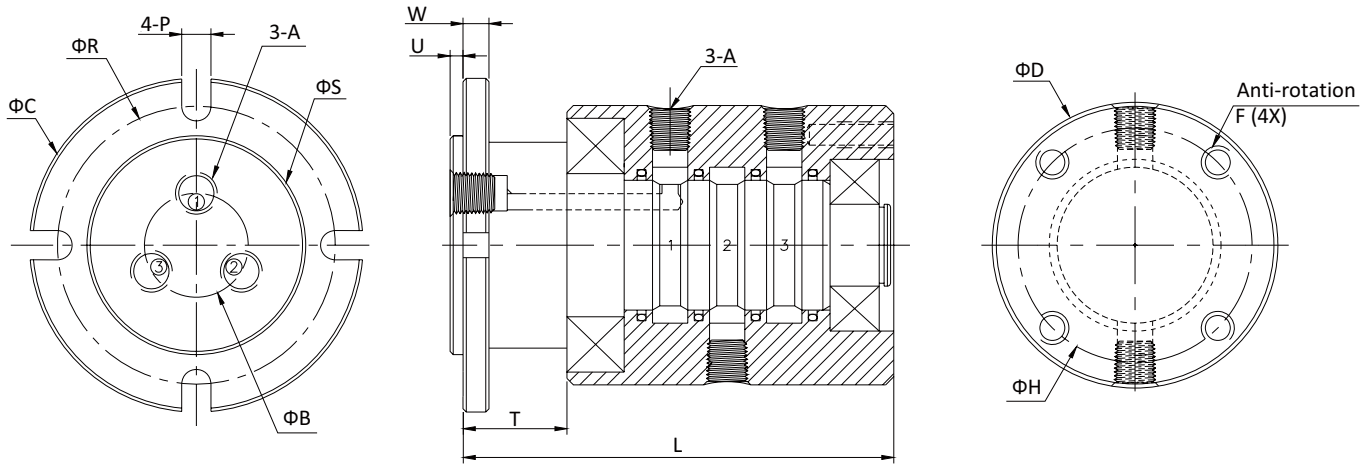
- Mounting Flange
- Connection Size
- Connection Type
- Material
- Pressure
- Media
- Optional Speed
- Combine with electrical slip ring

# INTRODUCE

## MP3-G-XT

5

### MP3-G-XT Series Dimensions



Part#	A(BSPP/NPT)	ΦB	ΦC	ΦD	ΦR	ΦS	U	W	T	P	F	ΦH	L
MP-301-G-XT	1/8"	20	59	59	50	40	2	5	21.5	5.2	M5	50	88.9
MP-302-G-XT	1/4"	21	59	59	50	40	2	5	21.5	5.2	M5	50	91.9
MP-303-G-XT	3/8"	26	74	74	63.5	50	2	6	21.5	6.5	M6	63.5	98.9



## MP4-G-XT Series Overview

### Description

Cosmau MP4-G-XT series multiple passage rotary unions with 4 channel for media transfer, design for compressed air, gas in rotating system.

- Transmit compressed air, gas when 360°unrestricted rotation
- Combined with electrical slip ring,transfer power,control signal, data
- Through hole or flange structure optional
- Available all kinds of custom solutions



### Specifications

Item	
Pneumatic Channel	4
Pressure	-100kPa ~ 10bar
Connection Szie	M5, 1/8" 1/4", 3/8"
Connection Type	BSPP
Operating Temperature	-18° C to 120° C
Suitable Media	Air / Gas / Vacuum
Speed	200 RPM (reference value)
Material	AL alloy housing, Carbon Steel Shaft
Service life	80 million rotations

**Note:** All values listed under Technical Specifications are dependent on a combination of all application parameters. Please note service life is dependent upon both rotational speed and duty cycle.

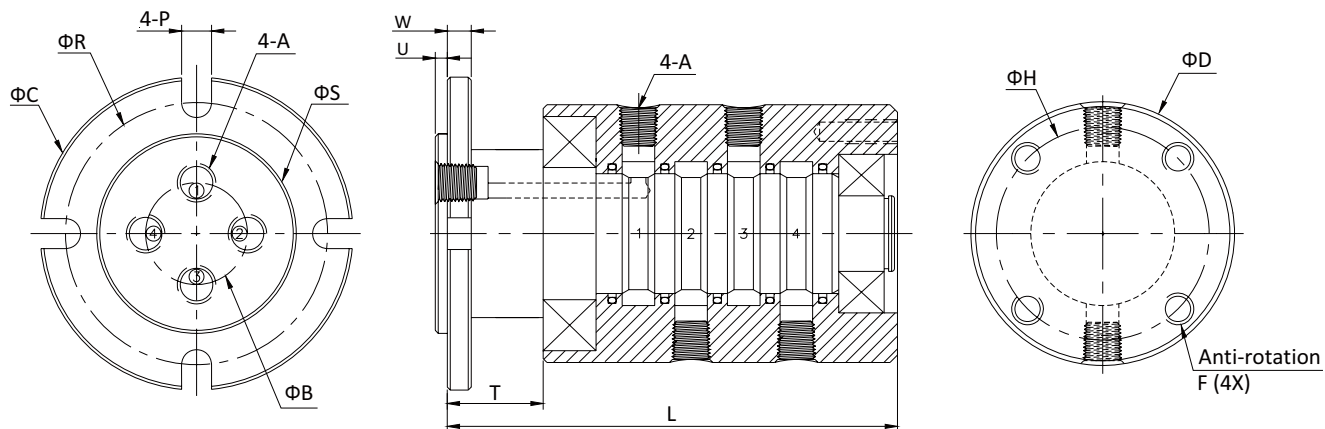
### Options

- Mounting Flange
- Connection Size
- Connection Type
- Material
- Pressure
- Media
- Optional Speed
- Combine with electrical slip ring

## INTRODUCE

## MP4-G-XT

## MP4-G-XT Series Dimensions



Part#	A(BSPP/NPT)	ΦB	ΦC	ΦD	ΦR	ΦS	U	W	T	P	F	ΦH	L
MP-401-G-XT	1/8"	21	59	59	50	40	2	5	21.5	5.2	M5	50	99.9
MP-402-G-XT	1/4"	26	64	64	55	45	2	5	21.5	5.2	M5	55	103.9
MP-403-G-XT	3/8"	31	79	79	68.5	56	2	6	21.5	6.5	M6	68.5	112.9

## MP6-G-XT Series Overview

### Description

Cosmau MP6-G-XT series multiple passage rotary unions with 6 channel for media transfer, design for compressed air, gas in rotating system.

- Transmit compressed air, gas when 360° unrestricted rotation
- Combined with electrical slip ring, transfer power, control signal, data
- Through hole or flange structure optional
- Available all kinds of custom solutions



### Specifications

Item	
Pneumatic Channel	6
Pressure	-100kPa ~ 10bar
Connection Size	M5, 1/8" 1/4", 3/8"
Connection Type	BSPP
Operating Temperature	-18° C to 120° C
Suitable Media	Air / Gas / Vacuum
Speed	200 RPM (reference value)
Material	AL alloy housing, Carbon Steel Shaft
Service life	80 million rotations

**Note:** All values listed under Technical Specifications are dependent on a combination of all application parameters. Please note service life is dependent upon both rotational speed and duty cycle.

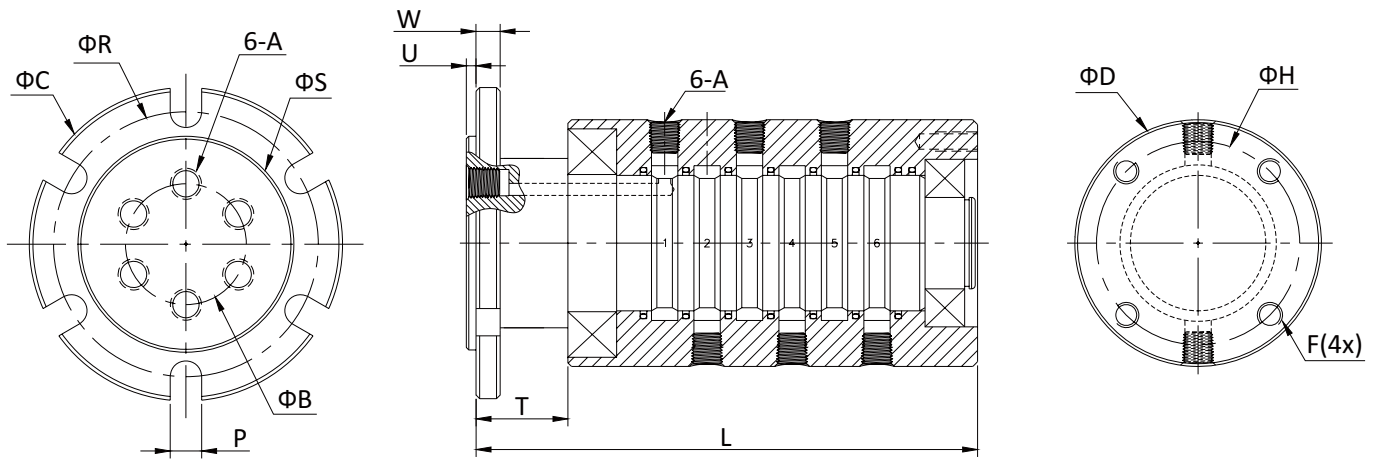
### Options

- Mounting Flange
- Connection Size
- Connection Type
- Material
- Pressure
- Media
- Optional Speed
- Combine with electrical slip ring

## INTRODUCE

## MP6-G-XT

## MP6-G-XT Series Dimensions



Part#	A(BSPP/NPT)	ΦB	ΦC	ΦD	ΦR	ΦS	U	W	T	P	F	ΦH	L
MP-601-G-XT	1/8"	33	69	59	60	49.5	2	5	21.5	5.2	M5	50	122.9
MP-602-G-XT	1/4"	39	79	59	69	58	2	5	21.5	6.5	M6	49	129.9
MP-603-G-XT	3/8"	48	94	74	83.5	72	2	6	25.5	6.5	M6	64	146.9

## MP8-G-XT Series Overview

### Description

Cosmau MP8-G-XT series multiple passage rotary unions with 8 channel for media transfer, design for compressed air, gas in rotating system.

- Transmit compressed air, gas when 360° unrestricted rotation
- Combined with electrical slip ring, transfer power, control signal, data
- Through hole or flange structure optional
- Available all kinds of custom solutions



### Specifications

Item	
Pneumatic Channel	8
Pressure	-100kPa ~ 10bar
Connection Size	M5, 1/8" 1/4"
Connection Type	BSPP
Operating Temperature	-18° C to 120° C
Suitable Media	Air / Gas / Vacuum
Speed	200 RPM (reference value)
Material	AL alloy housing, Carbon Steel Shaft
Service life	80 million rotations

**Note:** All values listed under Technical Specifications are dependent on a combination of all application parameters. Please note service life is dependent upon both rotational speed and duty cycle.

### Options

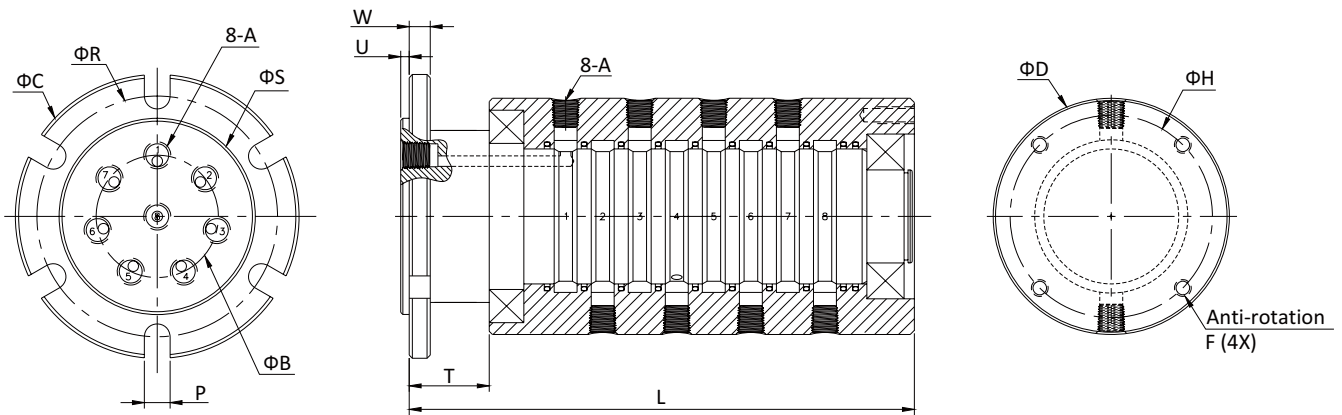
- Mounting Flange
- Connection Size
- Connection Type
- Material
- Pressure
- Media
- Optional Speed
- Combine with electrical slip ring

# INTRODUCE

## MP8-G-XT

11

### MP8-G-XT Series Dimensions



Part#	A(BSPP/NPT)	ΦB	ΦC	ΦD	ΦR	ΦS	U	W	T	P	F	ΦH	L
MP-801-G-XT	1/8"	42	79.5	69	69	58	2	6	21.5	6.5	M6	59	146.9
MP-802-G-XT	1/4"	48	89	69	78.5	67.5	2	6	21.5	6.5	M6	59	154.9