

## STR004 Series Overview

### Description

A slip ring can be used in any electromechanical system that requires unrestrained, continuous rotation while transferring power and / or data from a stationary to a rotating structure. A slip ring is also called a rotary electrical interface, electrical collector, swivel, or a rotary joint.

The STR004 series slip ring with 4 mm thru hole for installation, and compact 22 mm outside diameter for minimal space applications.



### Specifications

| Item                  |                      |
|-----------------------|----------------------|
| Operating Speed       | Max.250 RPM*         |
| Number of Circuits    | 18 wires             |
| Lead Wire             | AWG28# 250mm         |
| Voltage               | 240V AC/DC           |
| Operating Temperature | -20℃ to 60℃          |
| Current Rating        | Signal / 2A circuits |
| Noise                 | <0.01Ω               |
| Torque                | 0.02N.m              |
| Housing Material      | Plastic              |
| Protection Grade      | IP51                 |

\* Please note that the operational life of the unit is dependent upon rotational speed, environment and temperature

### Options

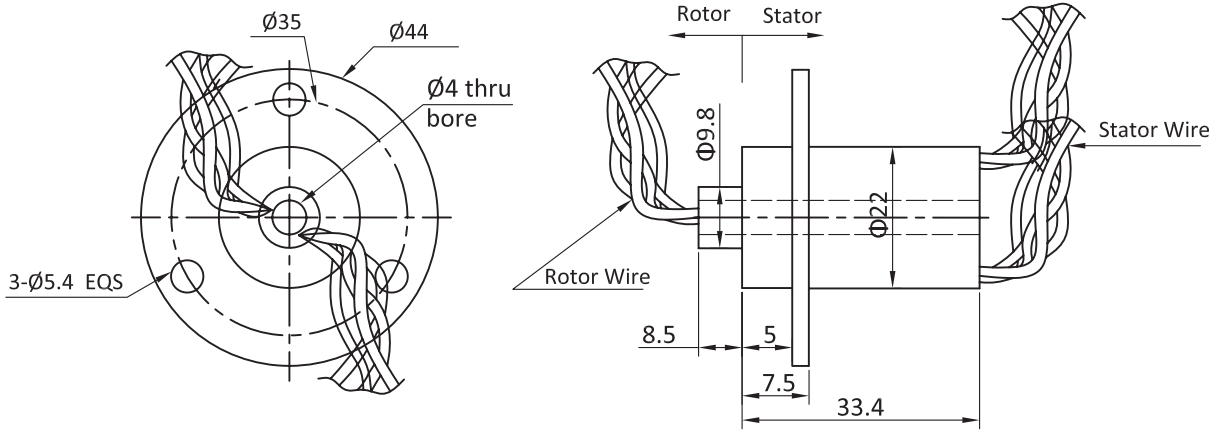
- Flange or non-flange
- Longer lead lengths are available
- Hybrid Pneumatic/hydraulic and electric slip ring can be mixed.
- Terminal and heat-shrink tube are optional

# INTRODUCE

## STR004

2

### STR004 Series Dimensions



**Notes:**

- 1. Drawings not actual size, dimensions are in millimeters

### Part# List

| Model#     | Power Circuits(5A/10A) | Signal (2A) | Voltage(V) | OD(mm) | Length(mm) |
|------------|------------------------|-------------|------------|--------|------------|
| STR004-S18 | -                      | 18          | 240        | 22     | 33.4       |

#### Lead wire color code(From the rotor)

| Ring# | Color | Description/AWG     | Ring# | Color    | Description/AWG     |
|-------|-------|---------------------|-------|----------|---------------------|
| 1     | BLK   | Signal / 2A, AWG28# | 7     | BLU      | Signal / 2A, AWG28# |
| 2     | BRN   |                     | 8     | VIO      |                     |
| 3     | RED   |                     | 9     | GRY      |                     |
| 4     | ORN   |                     | 10    | WHT      |                     |
| 5     | YEL   |                     | 11    | PINK     |                     |
| 6     | GRN   |                     | 12    | SOFT-BLU |                     |

**Notes:**

12 wires for 1 group color, from 12~24 circuits would repeat the same color.